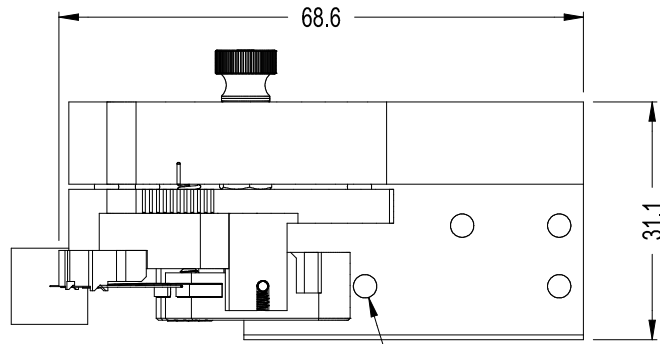


PKG Start Date

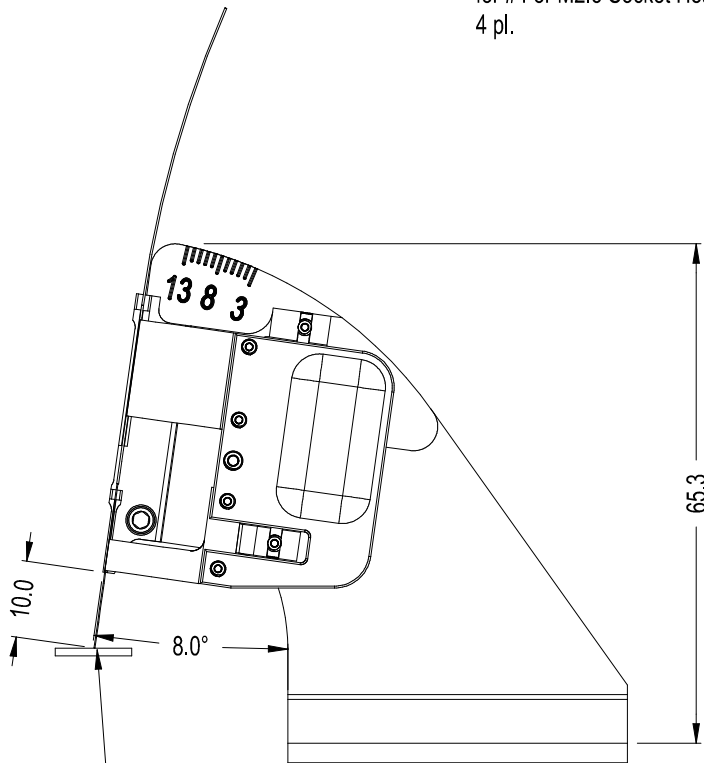
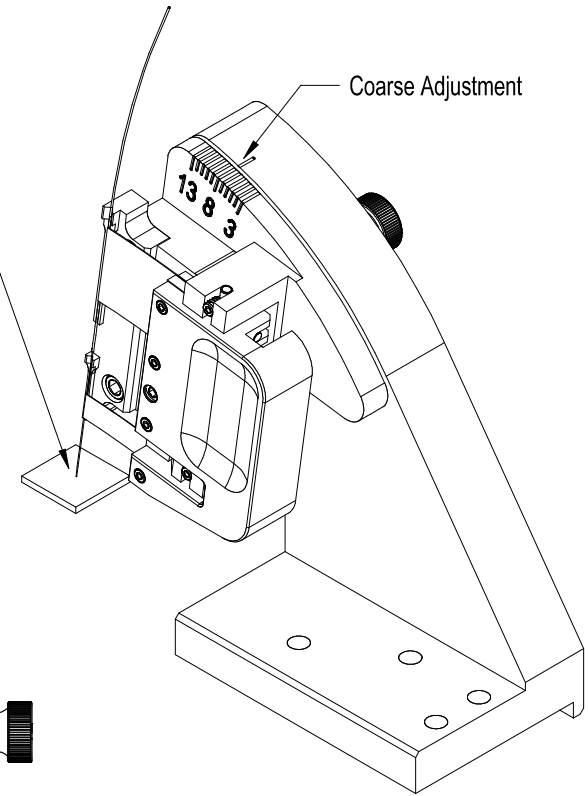
REV Date

APPROVED

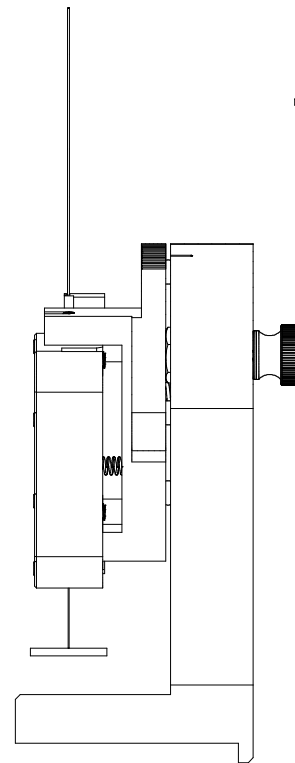


Clearance hole
for #4 or M2.5 Socket Head Cap Screw,
4 pl.

Coarse adjustment
rotation center located
at fiber tip, coincident with
6-axis positioner



Nominal 1 mm thick chip on Luminos VPH (not shown)



VFH001-S-1 Vertical Fiber Holder

SKU: VFH001-S-1

Material:	
Finish:	Tolerance:

SIZE A	VIEW:	DWG NO. PT036363A	REV A
SCALE 1	FILE	PT036363A.ckd	SHEET 1/1