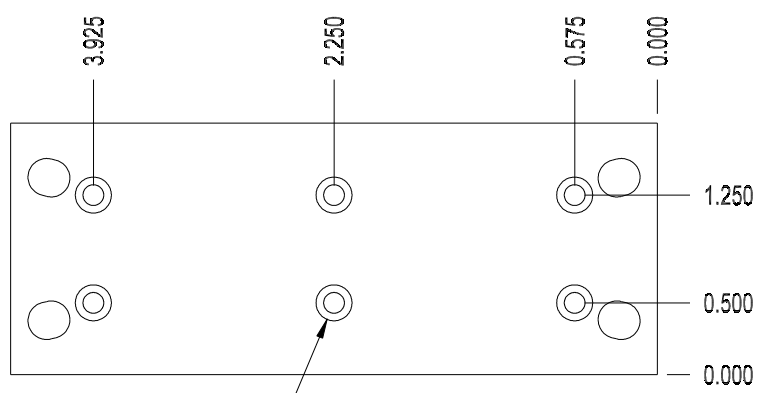
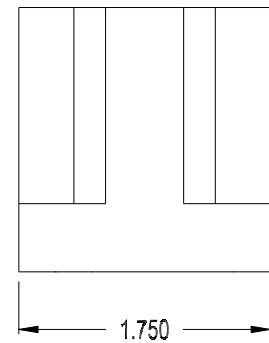
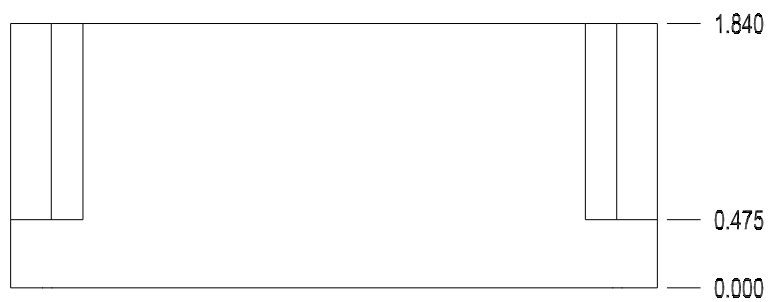
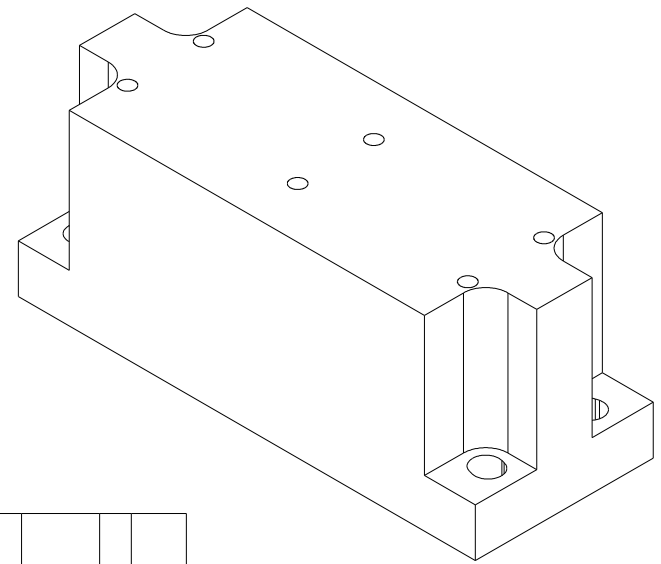
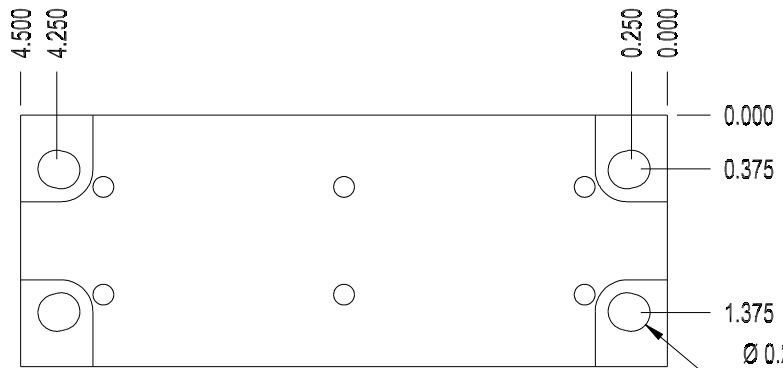


PKG Start Date

REV Date

APPROVED



Clearance holes with counterbore for #6 Socket Head Cap Screws, 6 pl.



ADP002 Adapter Block

Material: _____
 Finish: _____ Tolerance: _____

SIZE A	VIEW:	DWG NO. PT0238016A	REV A
SCALE 0.75	FILE PT0238016A.ckd	SHEET 1/1	