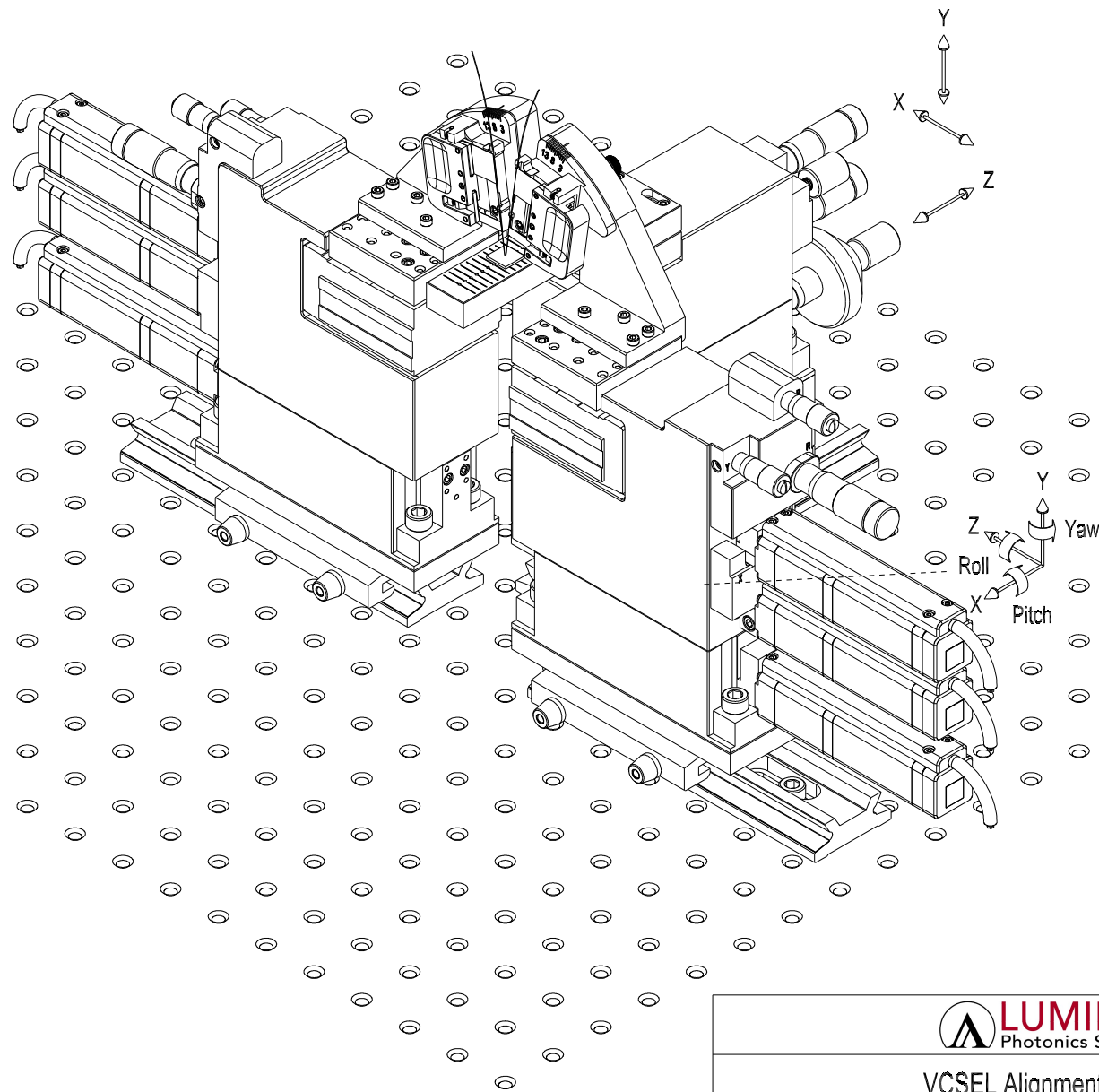


PKG Start Date

REV Date

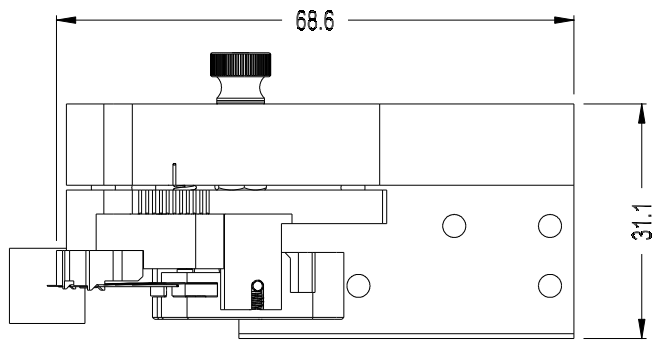
APPROVED



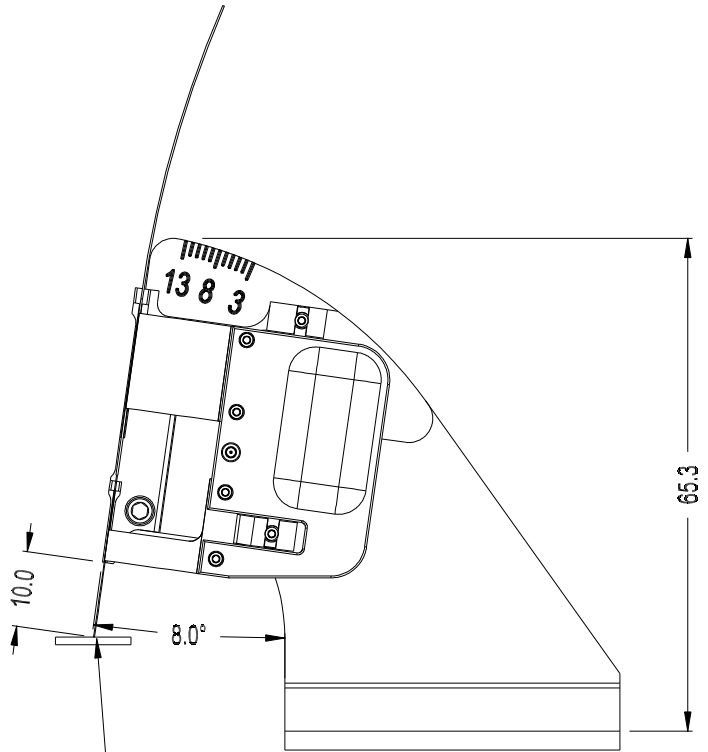
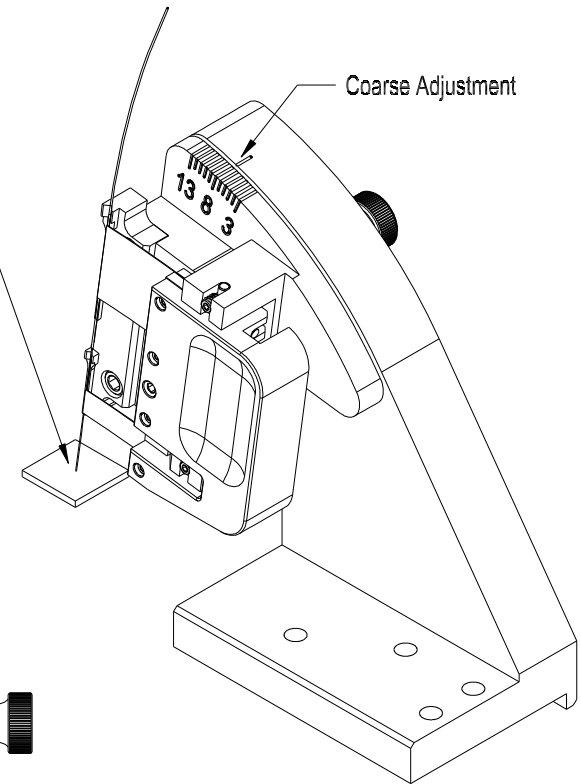
VCSEL Alignment System

Material: _____
 Finish: _____ Tolerance: _____

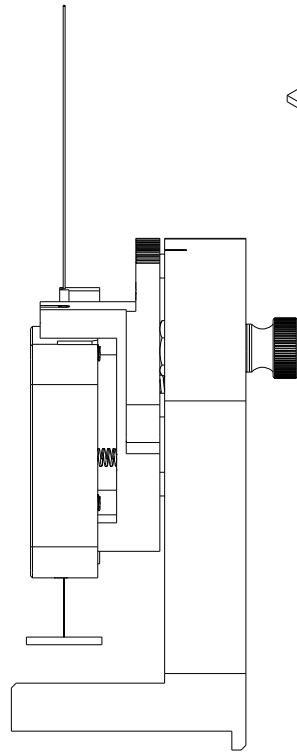
SIZE A	VIEW: Iso	DWG NO. SS013103C	REV C
SCALE 0.4	FILE SS013103C.ckd	SHEET 1/5	



Coarse adjustment rotation center located at fiber tip, coincident with 6-axis positioner



Nominal 1 mm thick chip on Luminos VPH (not shown)



Note: VFH001-M-1 is mirror image



VFH001-S-1 Vertical Fiber Holder

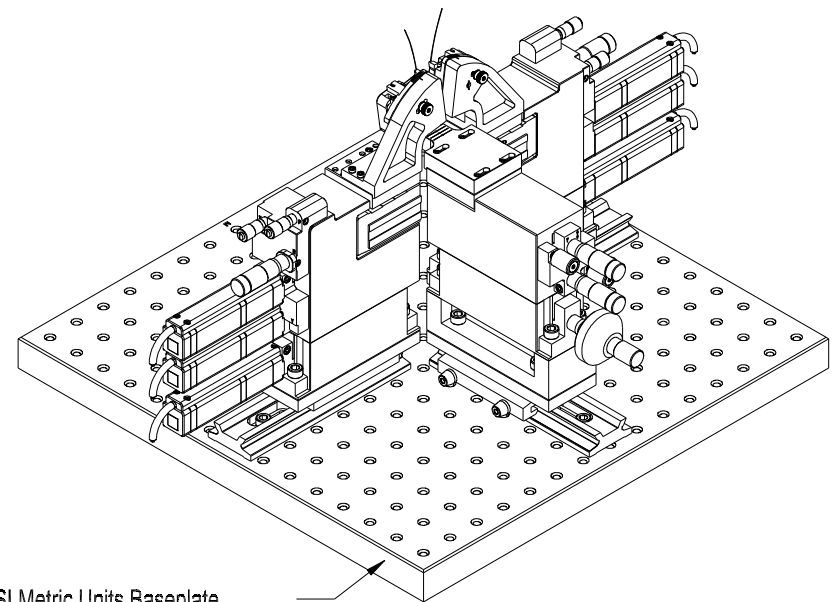
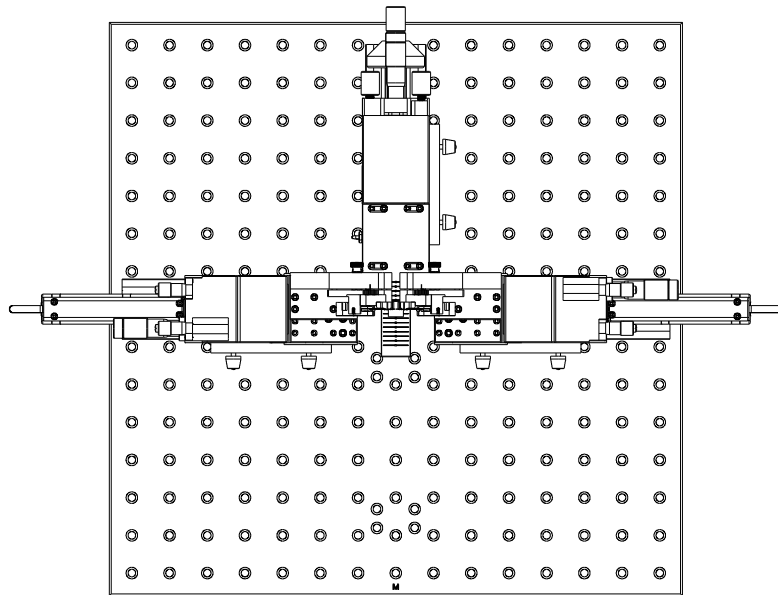
Material:	
Finish:	Tolerance:

SIZE A	VIEW:	DWG NO. SS013103C	REV C
SCALE 1	FILE	SS013103C.ckd	SHEET 2/5

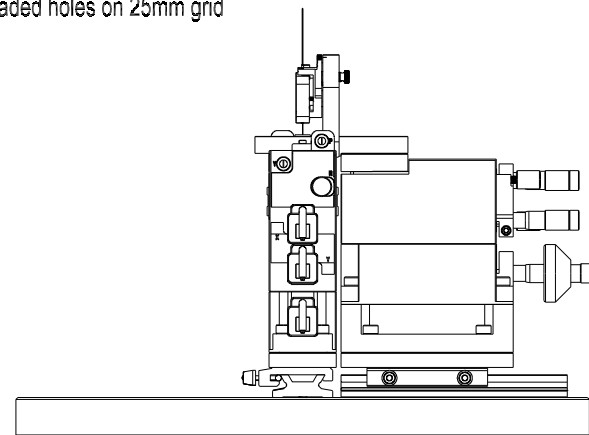
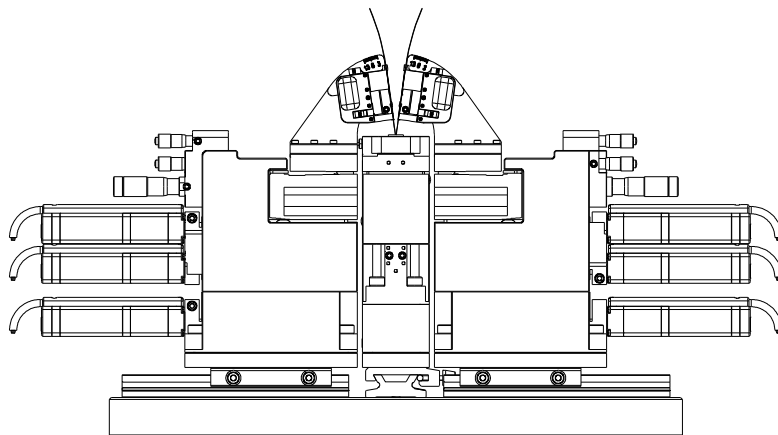
PKG Start Date

REV Date

APPROVED



BP006-SI Metric Units Baseplate,
(380mm x 380mm x 25mm),
M6 x 1mm threaded holes on 25mm grid



VCSEL Alignment System

Material:
Finish: Tolerance:

SIZE A	VIEW:	DWG NO.	SS013103C	REV C
SCALE 0.2	FILE	SS013103C.ckd	SHEET 3/5	

VFH001-M-1,
Vertical Fiber Holder, Mirrored,
Nominal 8 degree with +/-5 degrees coarse adjustment

VPH002
Vacuum Part Holder

I3000 XYZ Manual Linear Positioner,
SKU: P3-LM-MM-2-NHN-SI

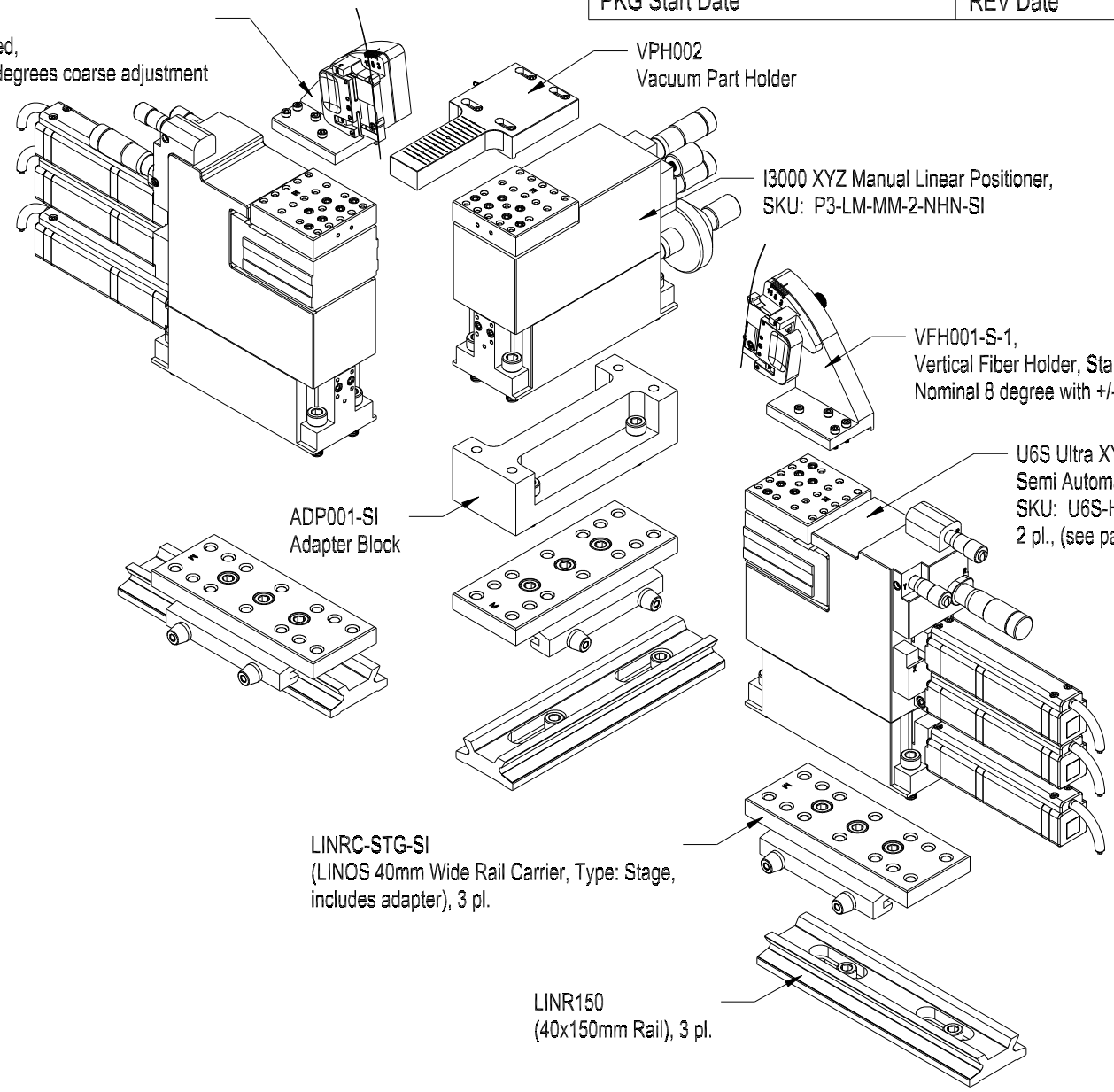
VFH001-S-1,
Vertical Fiber Holder, Standard,
Nominal 8 degree with +/-5 degrees coarse adjustment

U6S Ultra XYZ/RYP
Semi Automated Positioner,
SKU: U6S-H-SI,
2 pl., (see page 5)

ADP001-SI
Adapter Block

LINRC-STG-SI
(LINOS 40mm Wide Rail Carrier, Type: Stage,
includes adapter), 3 pl.

LINR150
(40x150mm Rail), 3 pl.



Note: BP006-SI Metric Units Baseplate shown on page 3



VCSEL Alignment System (Parts Explosion)

Material:	
Finish:	Tolerance:

SIZE A	VIEW: Iso	DWG NO. SS013103C	REV C
SCALE 0.3	FILE SS013103C.ckd	SHEET 4/5	

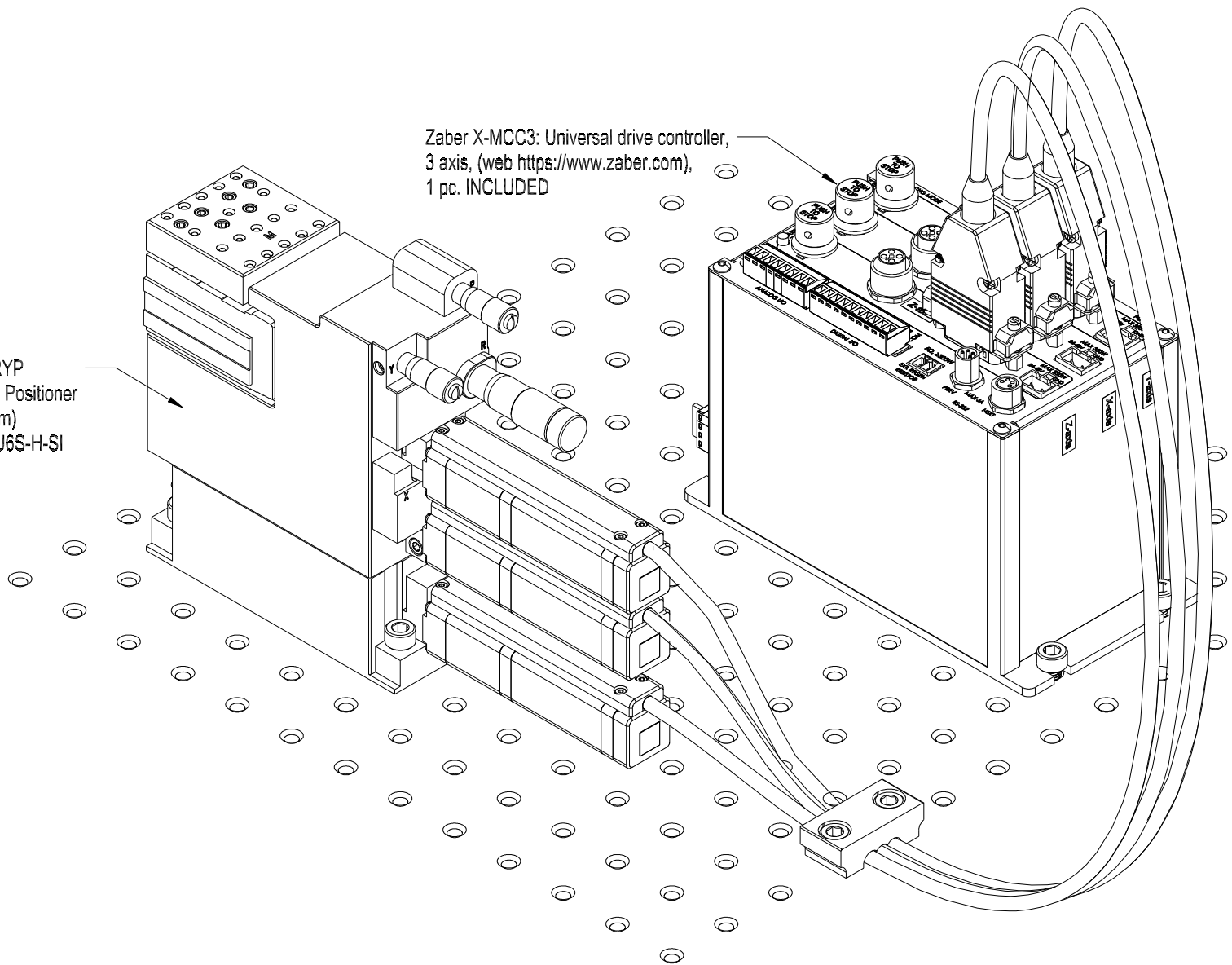
PKG Start Date

REV Date

APPROVED

Zaber X-MCC3: Universal drive controller,
3 axis, (web <https://www.zaber.com>),
1 pc. INCLUDED

U6S Ultra XYZ/RYP
Semi-Automated Positioner
(XY/10nm Z/50nm)
SKU: U6S-H-I / U6S-H-SI



Power supply with region specific AC power cord and USB cable are included (not shown).



U6S 6-Axis Semi-Automated Positioner

Material:	
Finish:	Tolerance:

SIZE A	VIEW: Iso	DWG NO. SS013103C	REV C
SCALE 0.5	FILE	SS013103C.ckd	SHEET 5/5