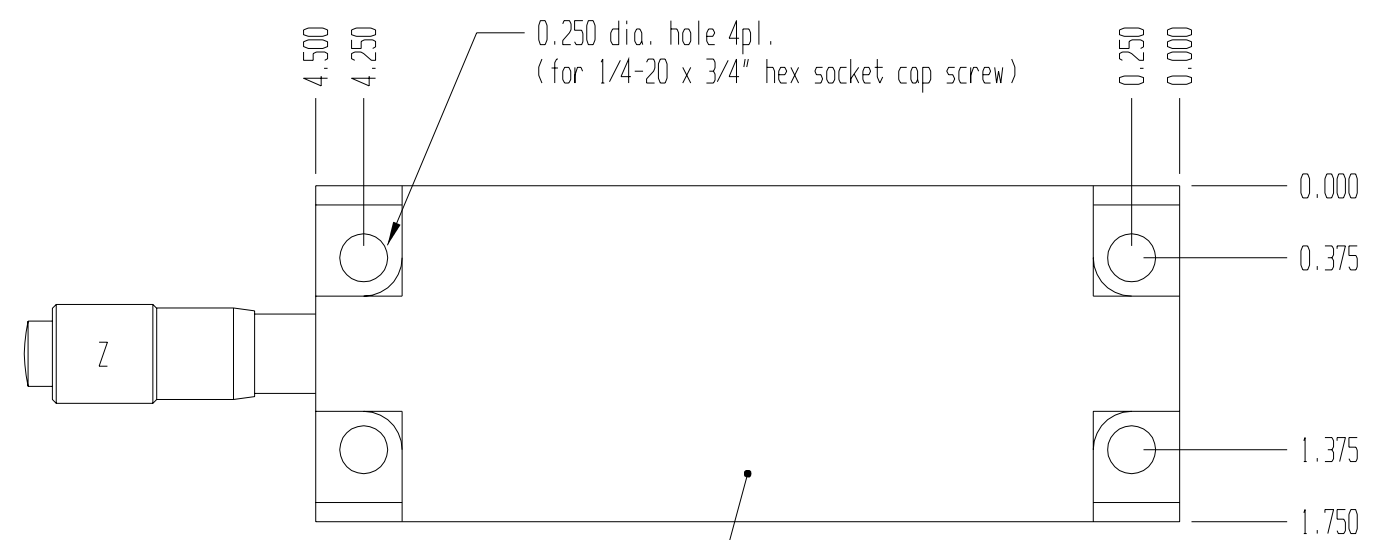
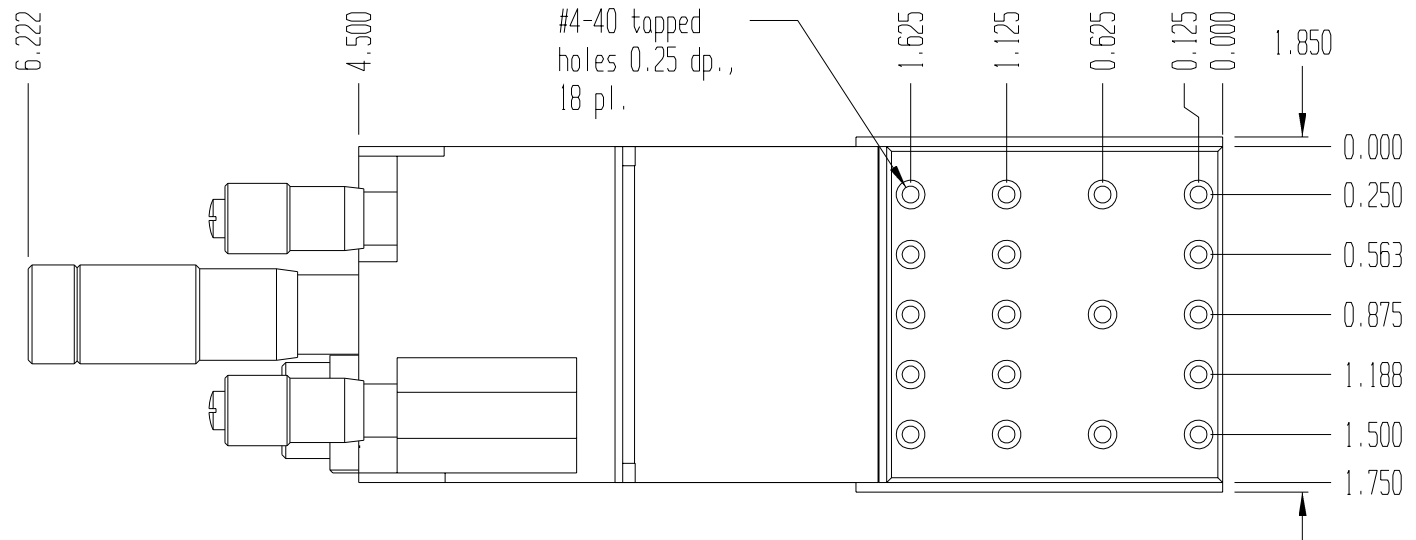


NOTE: Stage is shown in mid-position of travel
 Z-Axis travel: +/- 0.250" (6.35mm)
 X&Y Axis travel: +/- 0.040" (1.02mm) (coarse adjustment)
 +/- 0.010" (250um) (fine adjustment)
 Yaw & Pitch: +/- 1.5° each axis

| | | | | |
|---|------|-----------|-----------|-----|
| LUMINOS INDUSTRIES LTD | | | | |
| I5005 XYZYP Positioner (manual) - Front & End Outline | | | | |
| SIZE A | VIEW | DWG NO. | I5005-01 | REV |
| SCALE 0.75 | FILE | I5005.prt | SHEET 1/3 | |

| | |
|-----------|-----------|
| Material: | |
| Finish: | Tolerance |

| | | |
|-------------|----------------------|----------|
| DESCRIPTION | REV Date: Jan 09, 03 | APPROVED |
|-------------|----------------------|----------|



Bottom outline - Z Axis stage only

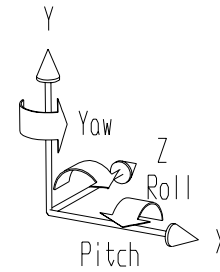
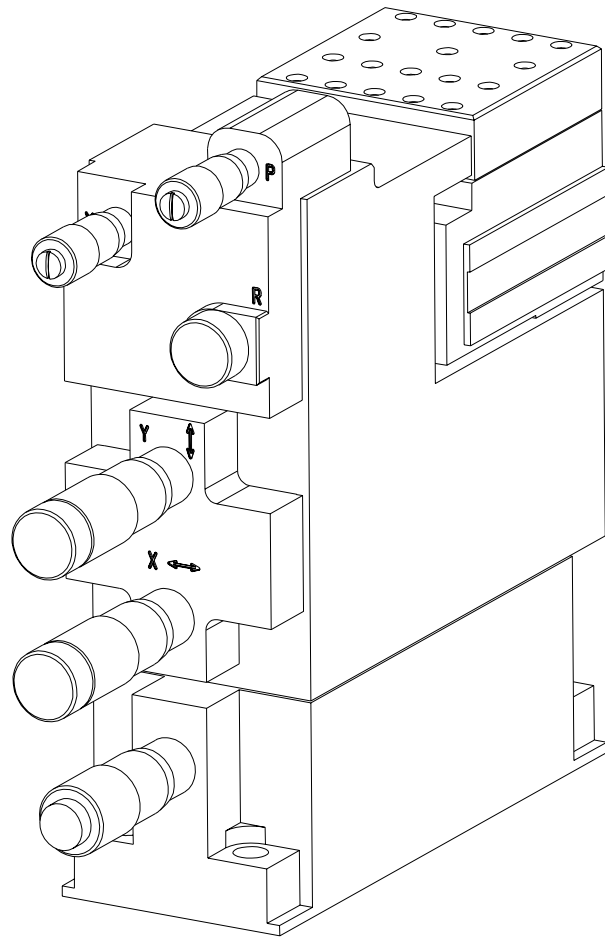
LUMINOS INDUSTRIES LTD
 I5005XYZYP Positioner (manual)
 Outline Top & Bottom (Z-Axis stage only)

| | | | | | | |
|-----------|-----------|---------|------|-----------|-----------|-------|
| Material: | | SIZE A | VIEW | DWG NO. | I5005-01 | REV A |
| Finish: | Tolerance | SCALE 1 | FILE | I5005.prt | SHEET 2/3 | |

PKG Start Date:

REV Date: Jan 09, 03

APPROVED

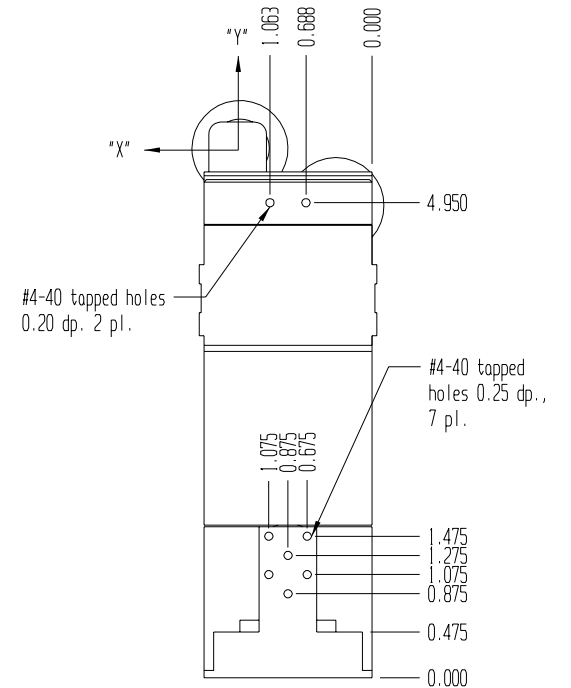
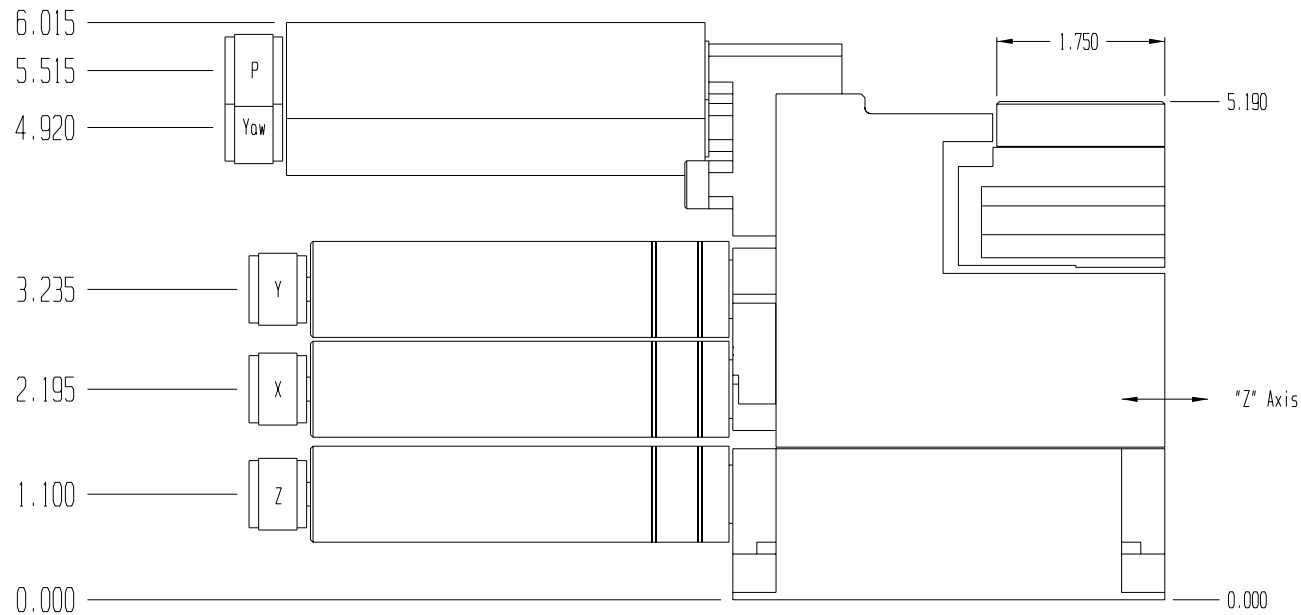


LUMINOS INDUSTRIES LTD

I5005 XYZYP Positioner (manual) - Perspective View

| | |
|-----------|-----------|
| Material: | |
| Finish: | Tolerance |

| | | | | |
|------------|------|-----------|-----------|-----|
| SIZE A | VIEW | DWG NO. | I5005-01 | REV |
| SCALE 0.75 | FILE | I5005.prt | SHEET 3/3 | |



NOTE: Stage is shown in mid-position of travel
 Z-Axis travel: +/- 0.250" (6.35mm)
 X&Y Axis travel: +/- 0.040" (1.02mm) (coarse adjustment)
 +/- 0.010" (250um) (fine adjustment)
 Yaw & Pitch: +/- 1.5° each axis

LUMINOS INDUSTRIES LTD

I5005 XYZYP Positioner (stepper motor) - Front & End Outline

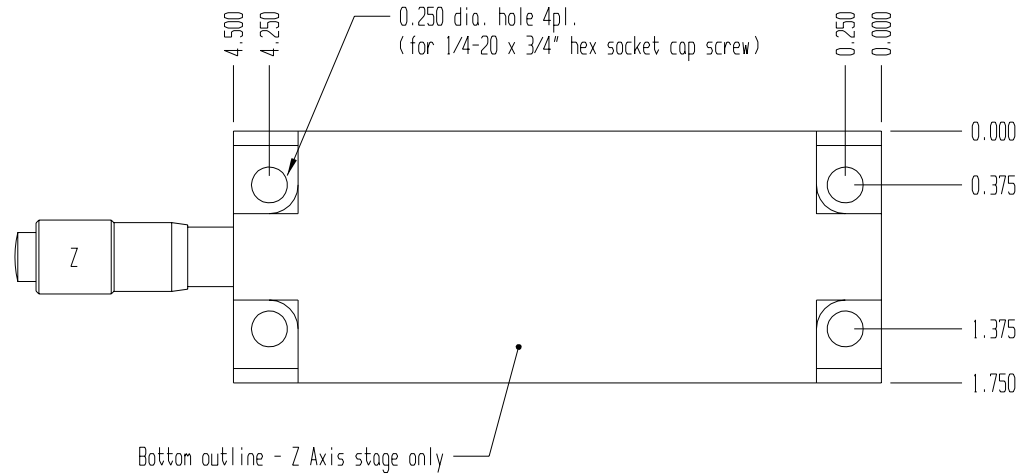
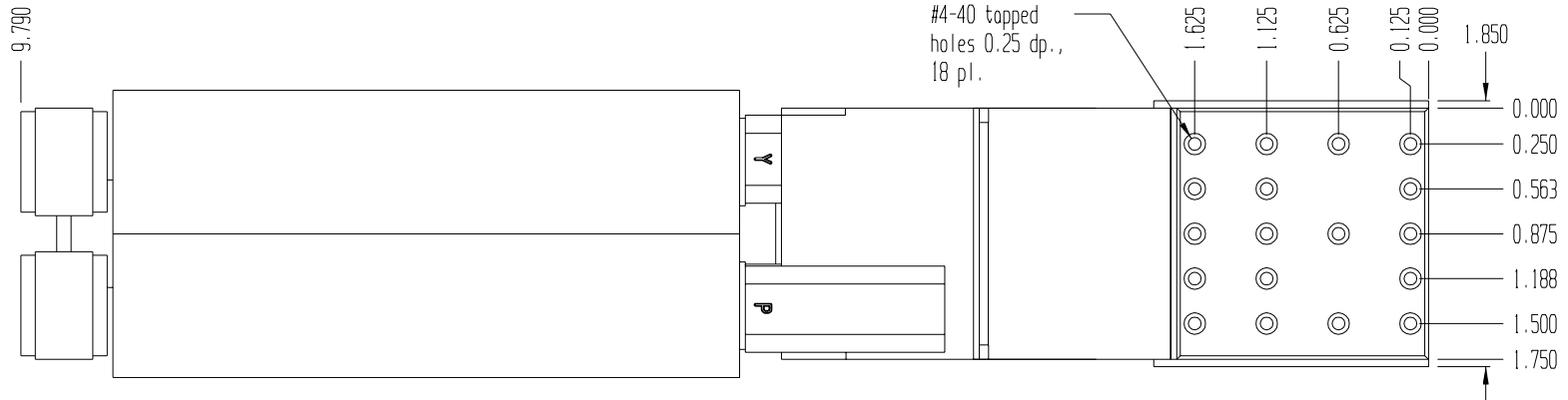
| | |
|-----------|-----------|
| Material: | |
| Finish: | Tolerance |

| | | | | |
|-----------|------|-----------|-----------|-----|
| SIZE A | VIEW | DWG NO. | I5005-02 | REV |
| SCALE 0.5 | FILE | I5005.prt | SHEET 1/3 | |

DESCRIPTION

REV Date: Jan 09, 03

APPROVED



LUMINDS INDUSTRIES LTD

I5005 XYZYP Positioner (stepper motor)
Outline Top & Bottom (Z-Axis stage only)

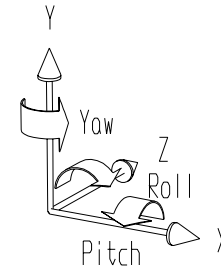
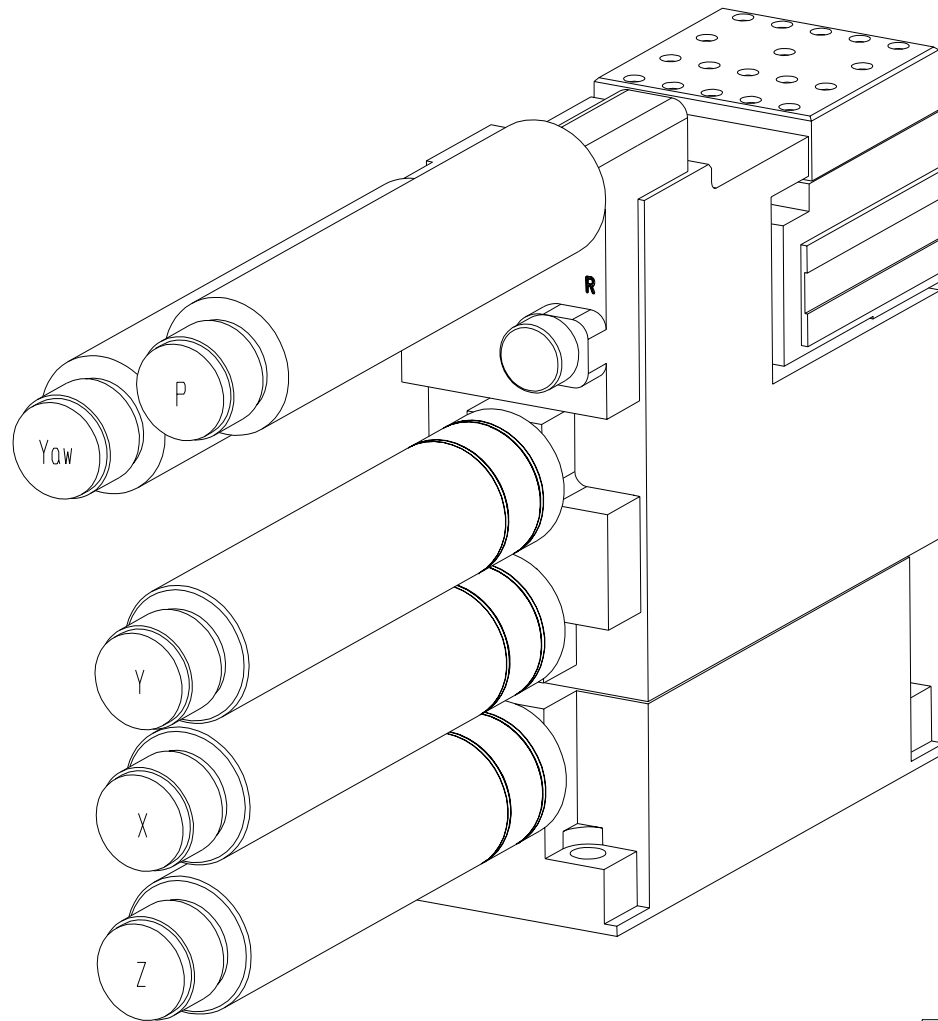
| | |
|-----------|-----------|
| Material: | |
| Finish: | Tolerance |

| | | | | |
|------------|------|-----------|-----------|-------|
| SIZE A | VIEW | DWG NO. | I5005-02 | REV A |
| SCALE 0.75 | FILE | I5005.prt | SHEET 2/3 | |

PKG Start Date:

REV Date: Jan 09, 03

APPROVED



LUMINOS INDUSTRIES LTD

I5005 XYZYP Positioner (stepper motor) - Perspective View

| | |
|-----------|-----------|
| Material: | |
| Finish: | Tolerance |

| | | | | |
|------------|------|-----------|-----------|-----|
| SIZE A | VIEW | DWG NO. | I5005-02 | REV |
| SCALE 0.75 | FILE | I5005.prt | SHEET 3/3 | |