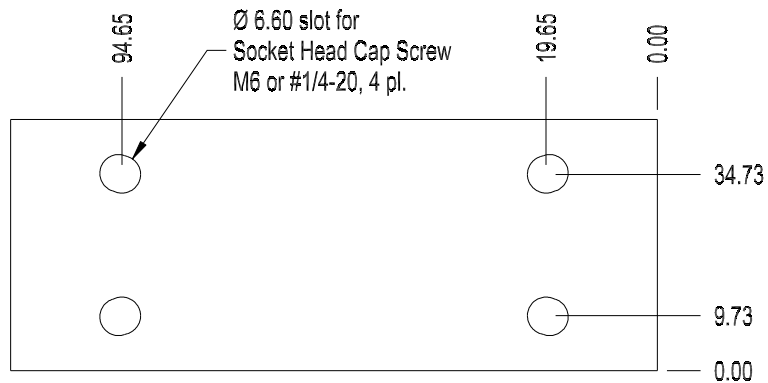
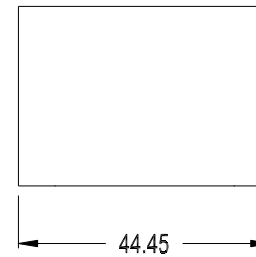
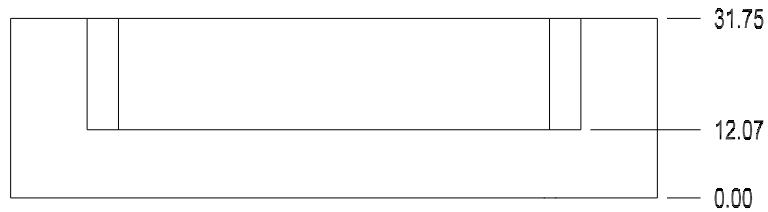
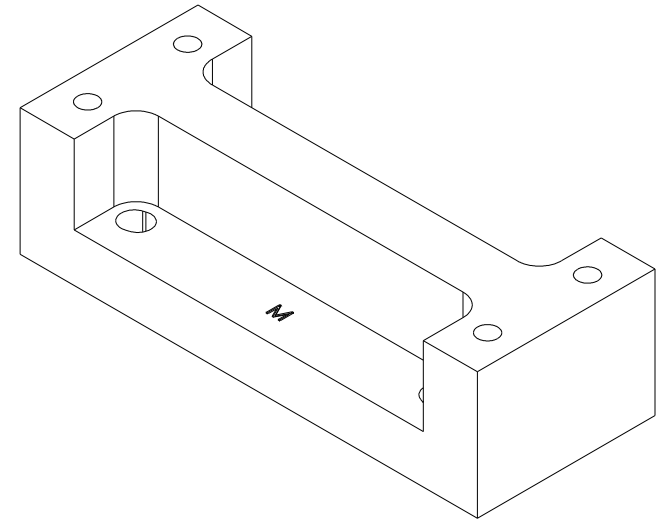
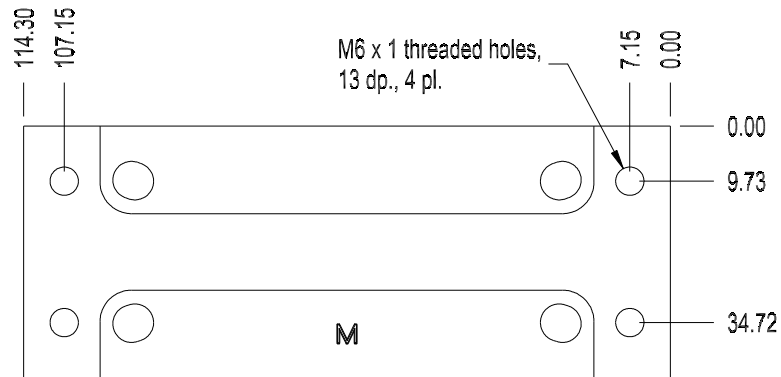


PKG Start Date

REV Date

APPROVED



ADP001-SI Adapter Block (31.8mm tall)

Material: _____
Finish: _____ Tolerance: _____

SIZE A	VIEW:	DWG NO. PT053106A	REV A
SCALE 0.75	FILE	PT053106A.ckd	SHEET 1/1