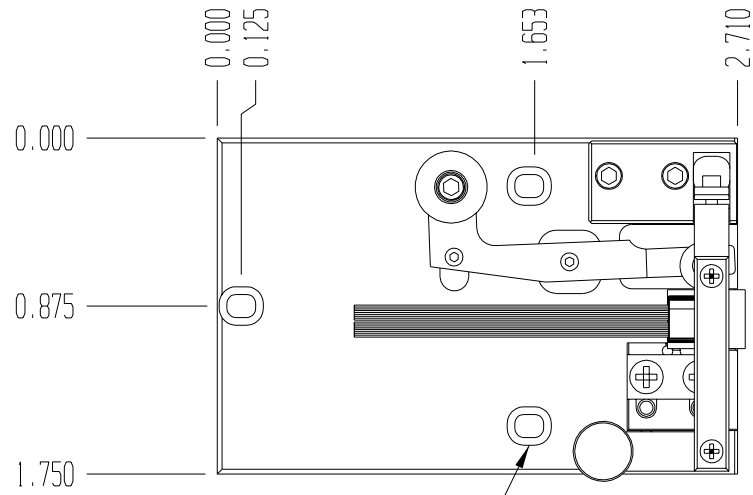


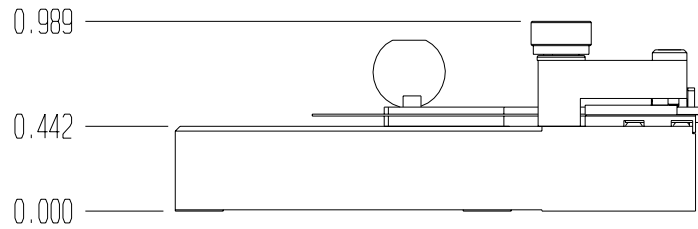
PKG Start Date:

REV Date:

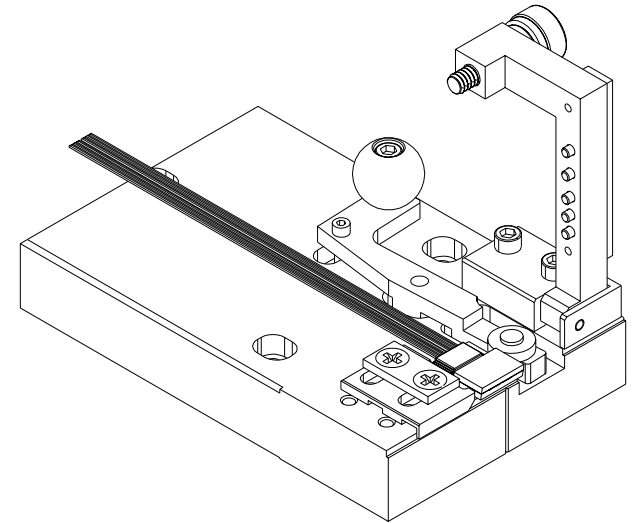
APPROVED



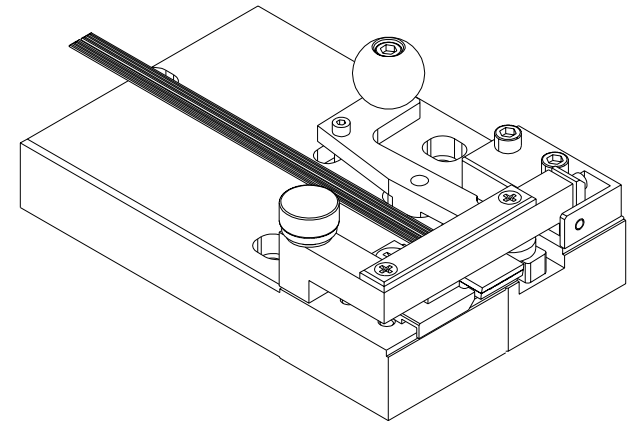
clearance holes with 0.125 dp C'bore
for #4-40 hex cap screws, 3 pl.



Note: The Fiber Array Holder is also available
with transverse mount option.



Shown is the fiber array holder
with a 16 fiber array



LUMINDS INDUSTRIES LTD

Universal Fiber Array Holder

Material:	
Finish:	Tolerance

SIZE A	VIEW	PART NO.	FAH	REV A
SCALE 1	FILE	PT0231.prt	SHEET 1/1	