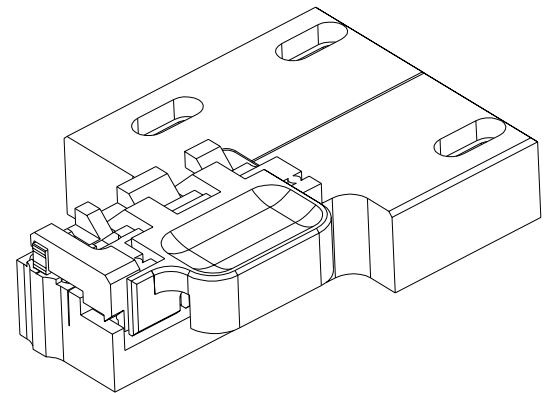
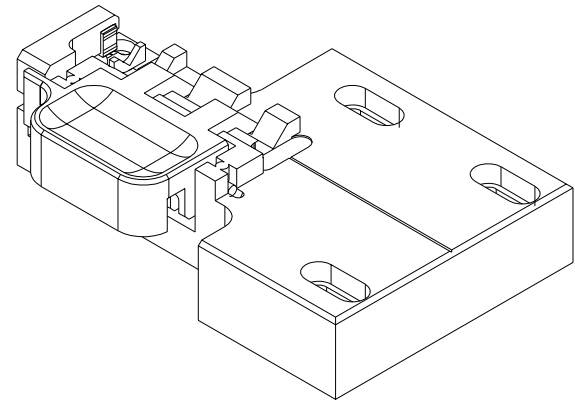
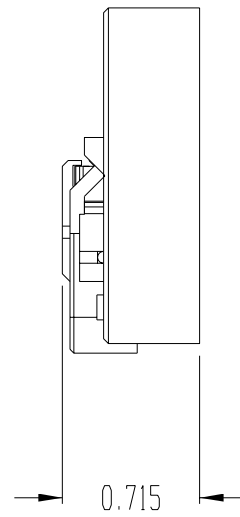
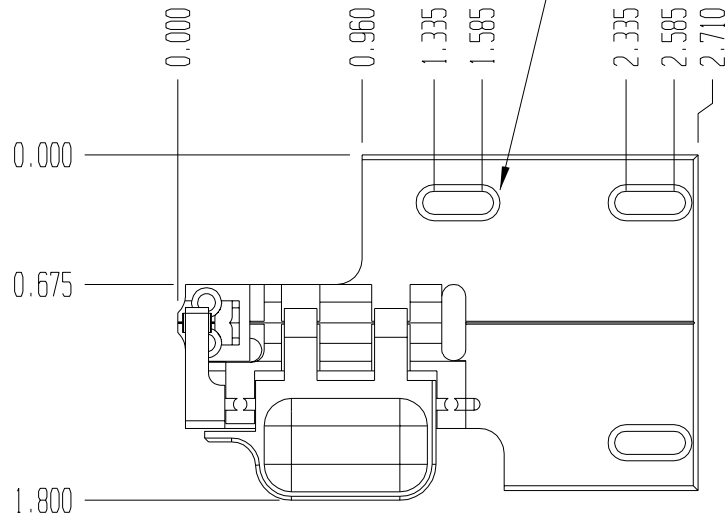


PKG Start Date:

REV Date:

APPROVED

clearance slot with C' bore
for #4-40 socket head cap screws
3 pl.



LUMINDS INDUSTRIES LTD

Bare Fiber Holder - Extended V-Groove Version

Material:	
Finish:	Tolerance

SIZE A	VIEW	PART NO.	REV A
SCALE 1	FILE	PT0240.prt	SHEET 1/1