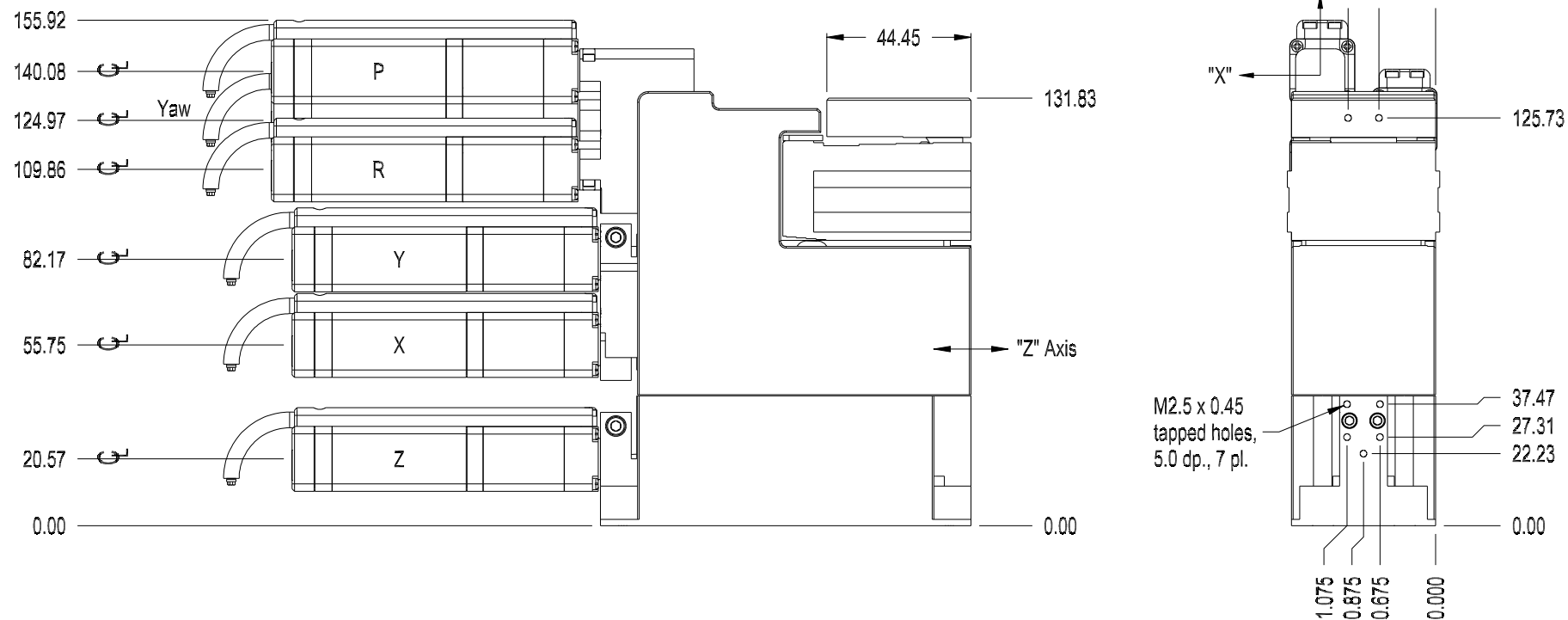


PKG Start Date

REV Date

APPROVED



NOTE: Stage is shown in mid-position of travel  
 Z-Axis travel: ±6.35mm (0.250")  
 X&Y Axis travel: ±1.27mm (0.050")  
 Roll, Yaw & Pitch travel: ±1.5° each axis

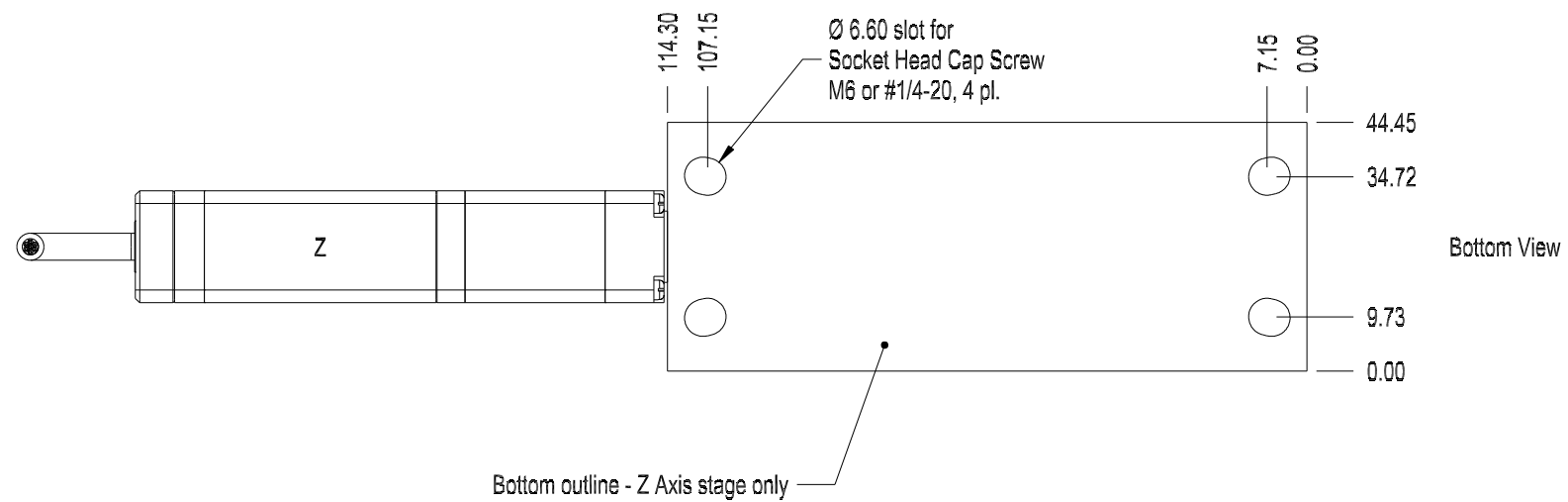
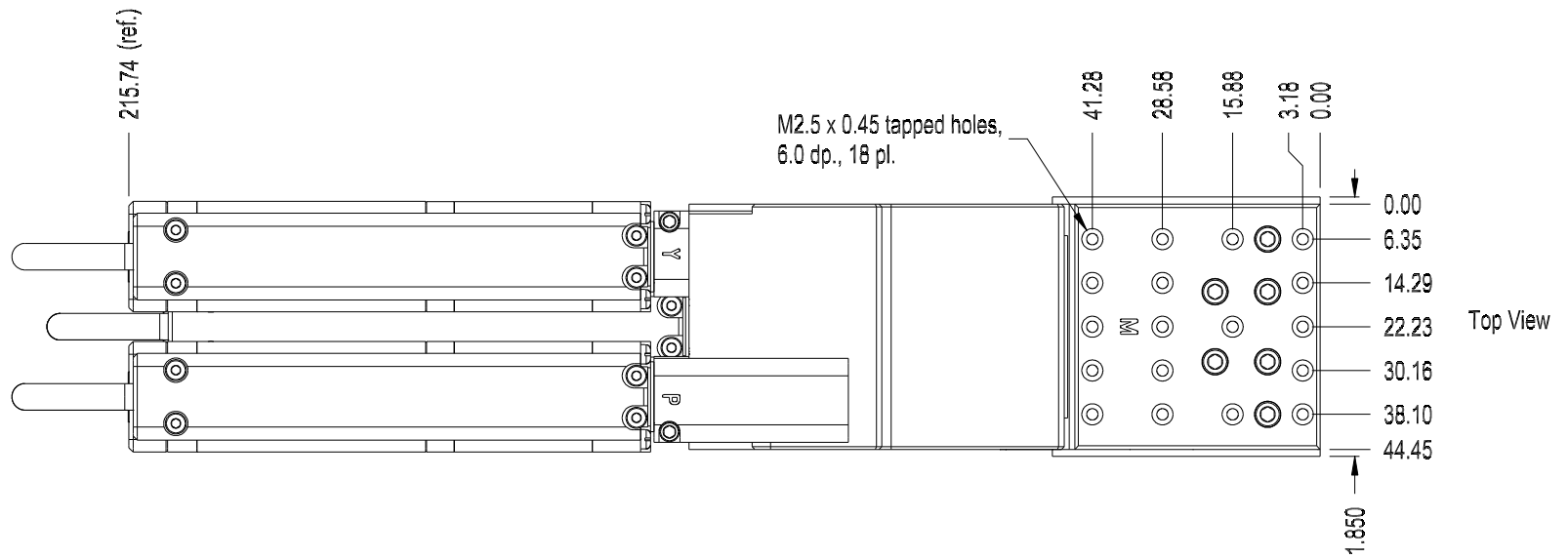
SKU: U6-H-SI



U6 Ultra XYZ/RYP Fully Automated Positioner (SI) - Outline

Material: \_\_\_\_\_  
 Finish: \_\_\_\_\_ Tolerance: \_\_\_\_\_

SIZE A	VIEW:	DWG NO.	PT0157373A	REV A
SCALE 0.5	FILE	PT0157373A.ckd	SHEET 1/3	



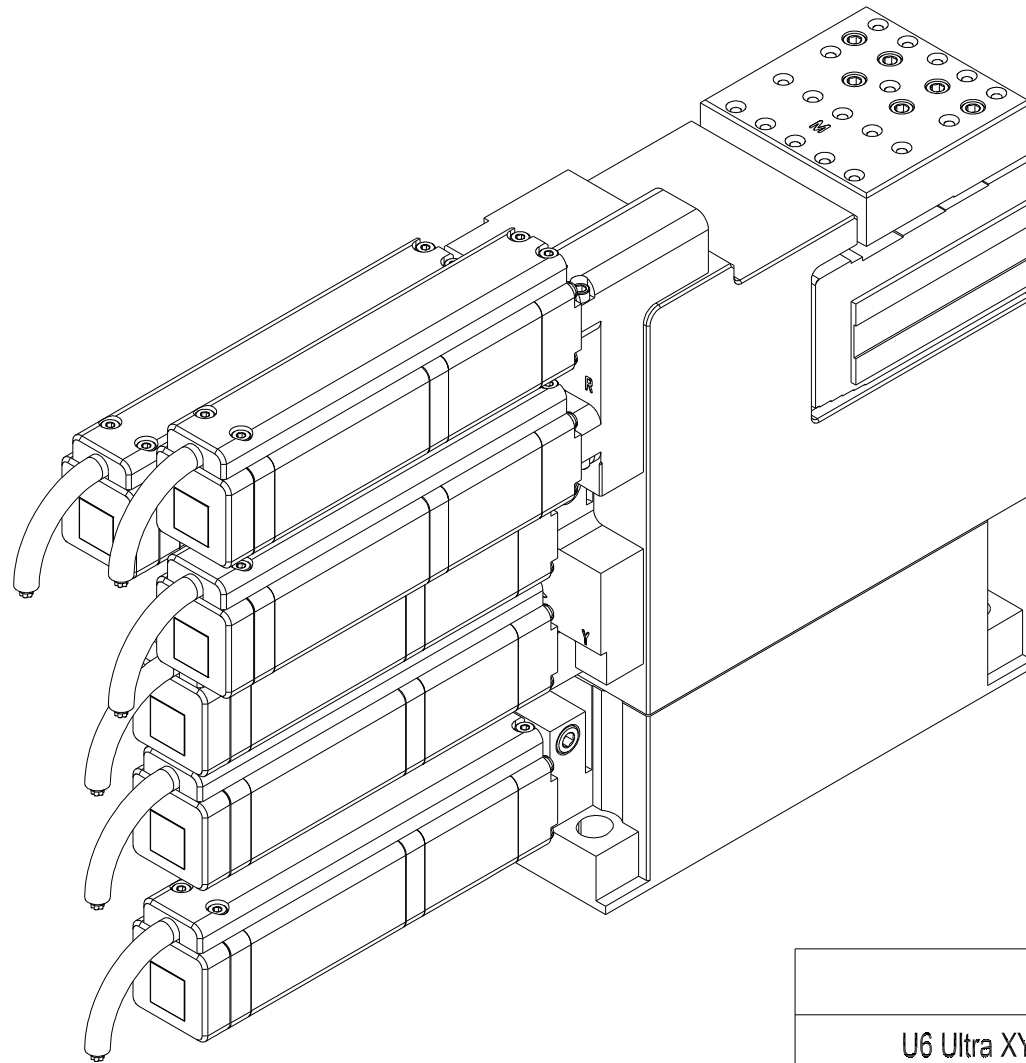
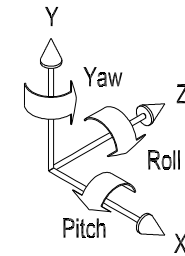
			
<b>U6 Ultra XYZ/RYP Fully Automated Positioner (SI) - Outline</b>			
SIZE A	VIEW:	DWG NO. PT0157373A	REV A
SCALE 0.75	FILE PT0157373A.ckd	SHEET 2/3	

Material:	
Finish:	Tolerance:

PKG Start Date

REV Date

APPROVED



U6 Ultra XYZ/RYP Fully Automated Positioner (SI)  
Perspective View

Material:  
Finish: Tolerance:

SIZE A	VIEW: Iso	DWG NO. PT0157373A	REV A
SCALE 0.7	FILE PT0157373A.ckd	SHEET 3/3	