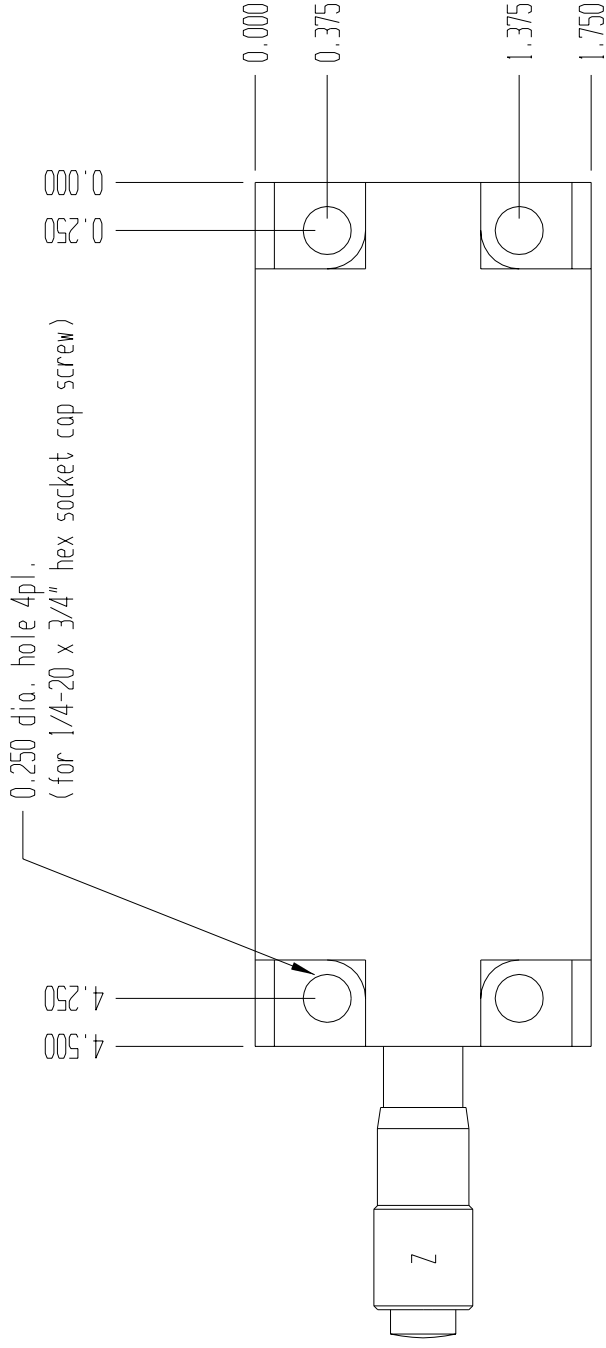


DESCRIPTION

REV Date: Jan 09, 03

APPROVED



LUMINDS INDUSTRIES LTD

I3000 XYZ Positioner (manual) - Outline (Z-Axis stage only)

SIZE A VIEW DWG NO. I3000-01 REV A

SCALE 1 FILE I3000.prt SHEET 2/3

Material:

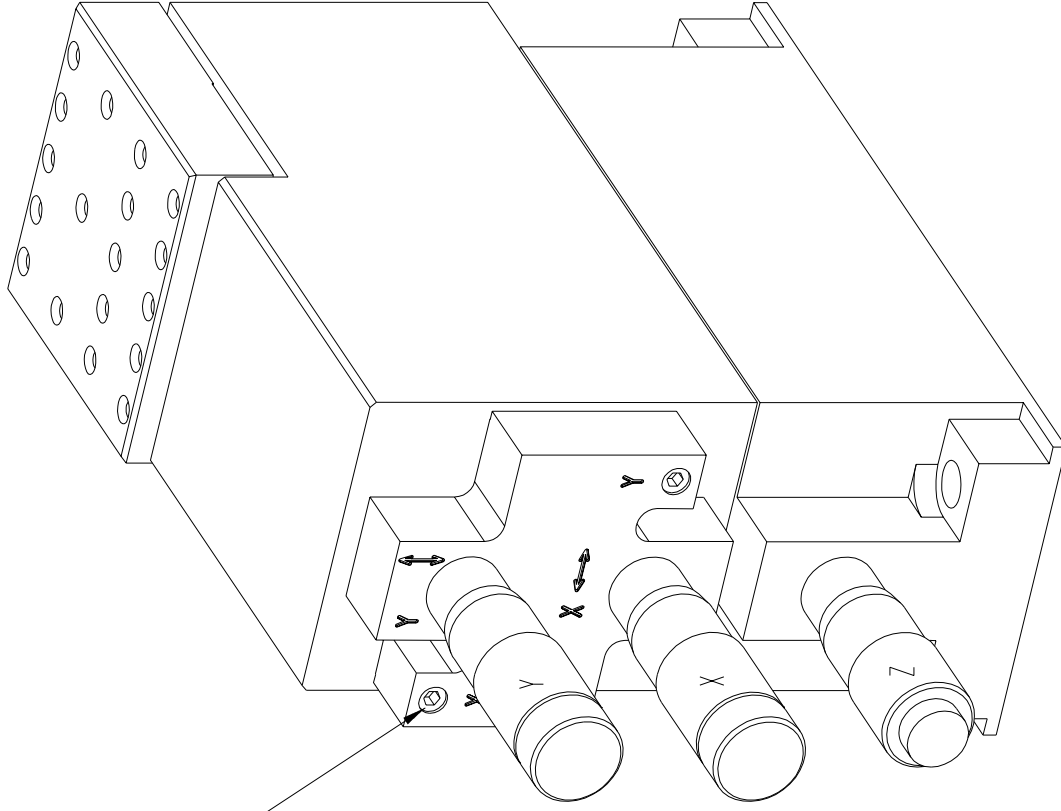
Finish:

Tolerance

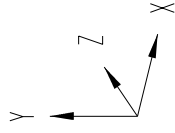
DESCRIPTION

REV Date: Jan 09, 03

APPROVED



Coarse Adjust
#10-32 socket
hex set screw



LUMINDS INDUSTRIES LTD

I3000 XYZ Positioner (manual) - Perspective View

SIZE A VIEW DWG NO. I3000-01 REV A

SCALE 1 FILE I3000.prt SHEET 3/3

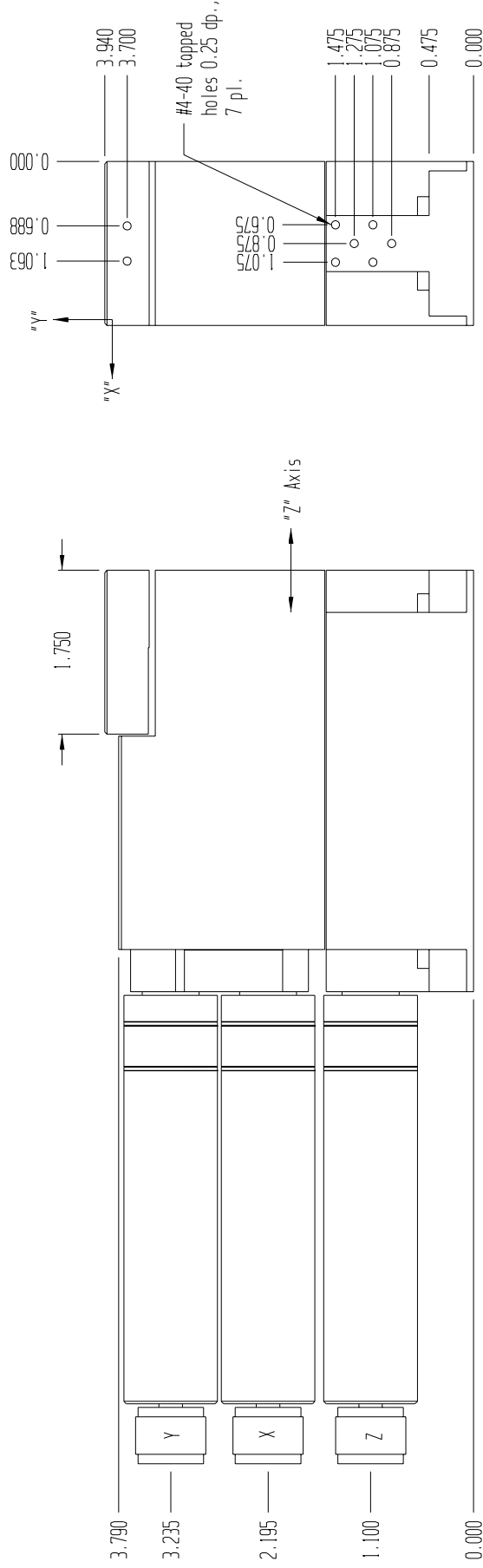
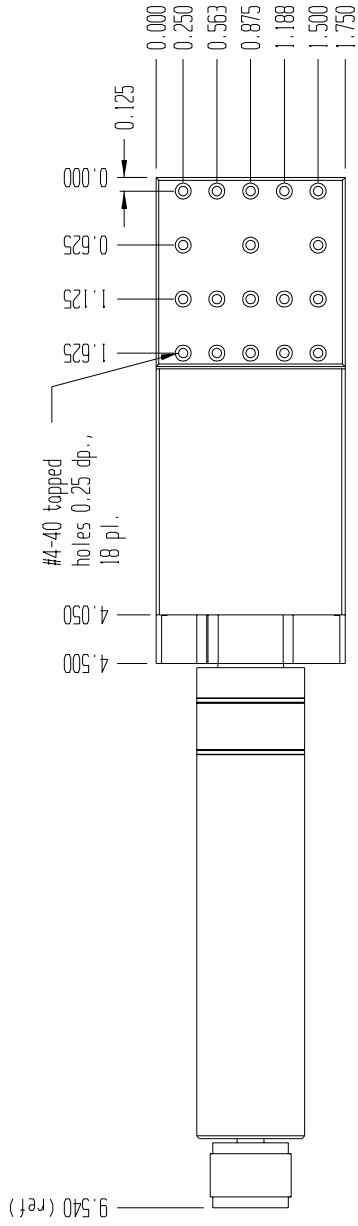
Material:

Finish: Tolerance

DESCRIPTION

REV Date: Jan 09, 03

APPROVED



NOTE: Stage is shown in mid-position of travel
 Z-Axis travel: +/- 0.250" (6.35mm)
 X&Y Axis travel: +/- 0.040" (1.02mm) (coarse adjustment)
 +/- 0.010" (250um) (fine adjustment)

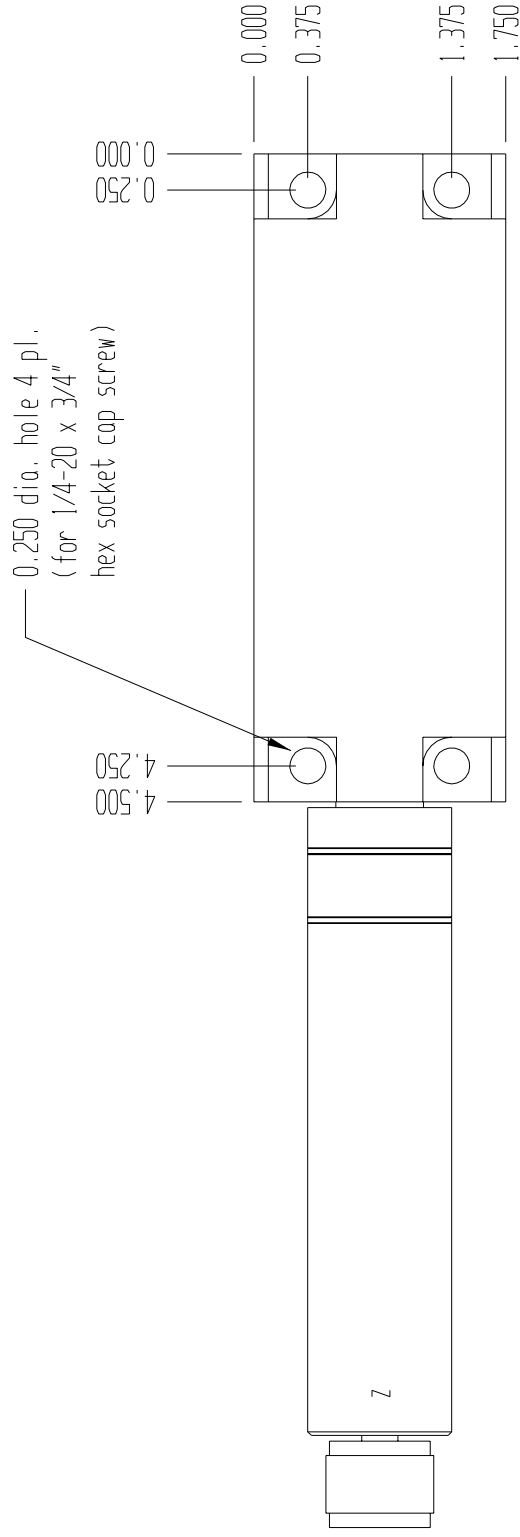
LUMINDS INDUSTRIES LTD

I3000 XYZ Positioner (stepper motor) - Outline (Entire Stage)

Material:	
Finish:	Tolerance
SIZE A VIEW	DWG NO. I3000-02
SCALE 0.5 FILE	I3000.prt
	SHEET 1/3
	REV A

DESCRIPTION

REV Date: Jan 09, 03 APPROVED



LUMINDS INDUSTRIES LTD

I3000 XYZ Positioner (stepper motor) - Z-Axis stage only

SIZE A VIEW DWG NO. I3000-02 REV A

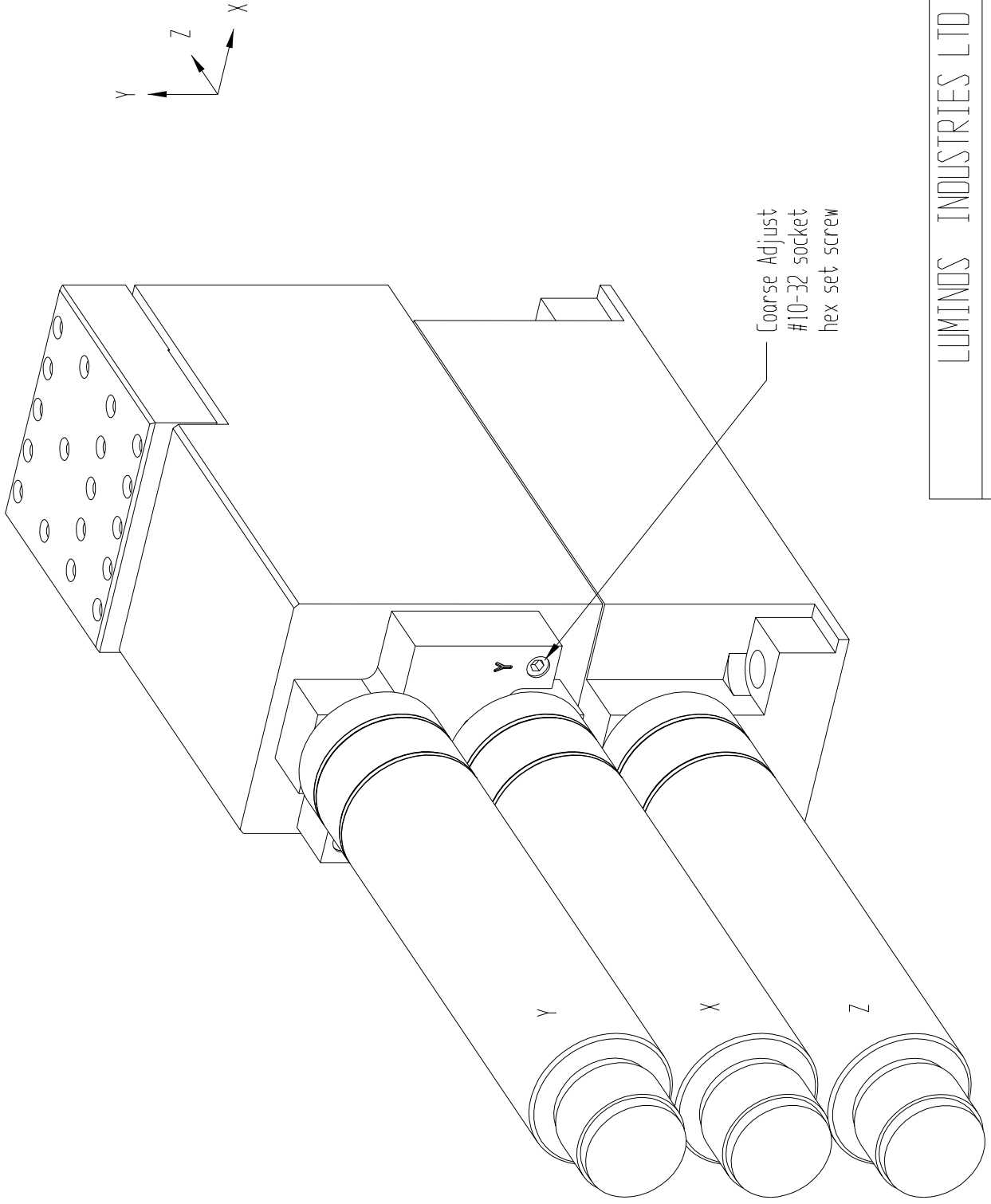
SCALE 0.75 FILE I3000.prt SHEET 2/3

Material:

Finish: Tolerance

DESCRIPTION

REV Date: Jan 09, 03 APPROVED



LUMINDS INDUSTRIES LTD

I3000 XYZ Positioner (stepper motor) - Perspective View

SIZE A	VIEW	DWG NO.	I3000-02	REV A
SCALE	1	FILE	I3000.prt	SHEET 3/3

Material:	
Finish:	Tolerance