

NOTE: Stage is shown in mid-position of travel
 Z-Axis travel: +/- 0.250" (6.35mm)
 X&Y Axis travel: +/- 0.050" (1.27mm)
 Roll travel: ±1.5°, 10 arc-sec/div., 6 turns/degree
 Yaw & Pitch travel: ±1.5°, 30 arc-sec/div., 4 turns/degree

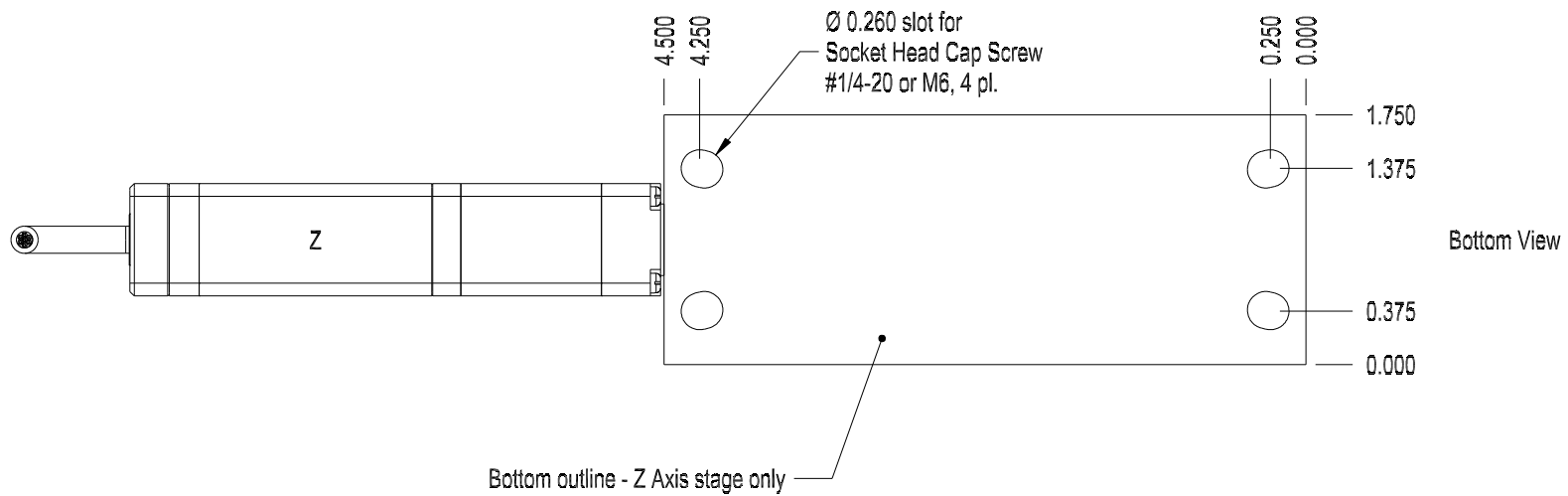
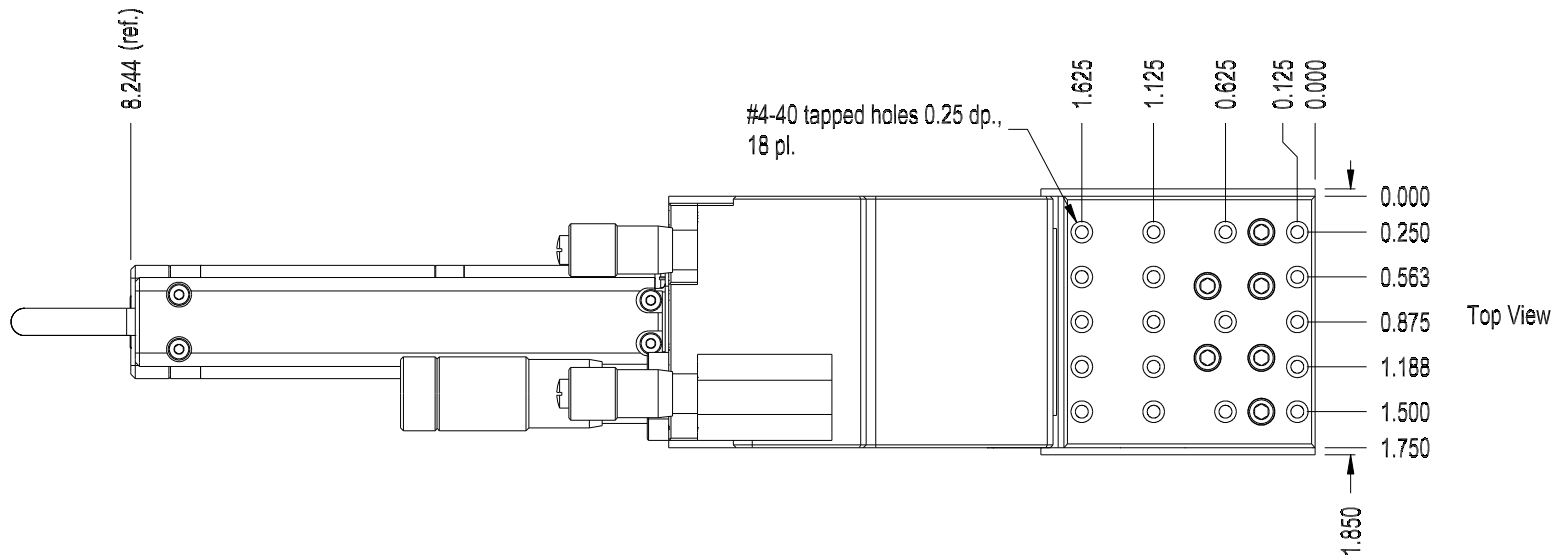
SKU: U6S-H-I



U6S Ultra XYZ/RYP Semi-automated Positioner - Outline

Material: _____
 Finish: _____ Tolerance: _____

SIZE A	VIEW:	DWG NO.	PT0157465A	REV A
SCALE 0.5	FILE	PT0157465A.ckd	SHEET 1/3	



U6S Ultra XYZ/RYP Semi-automated Positioner - Outline

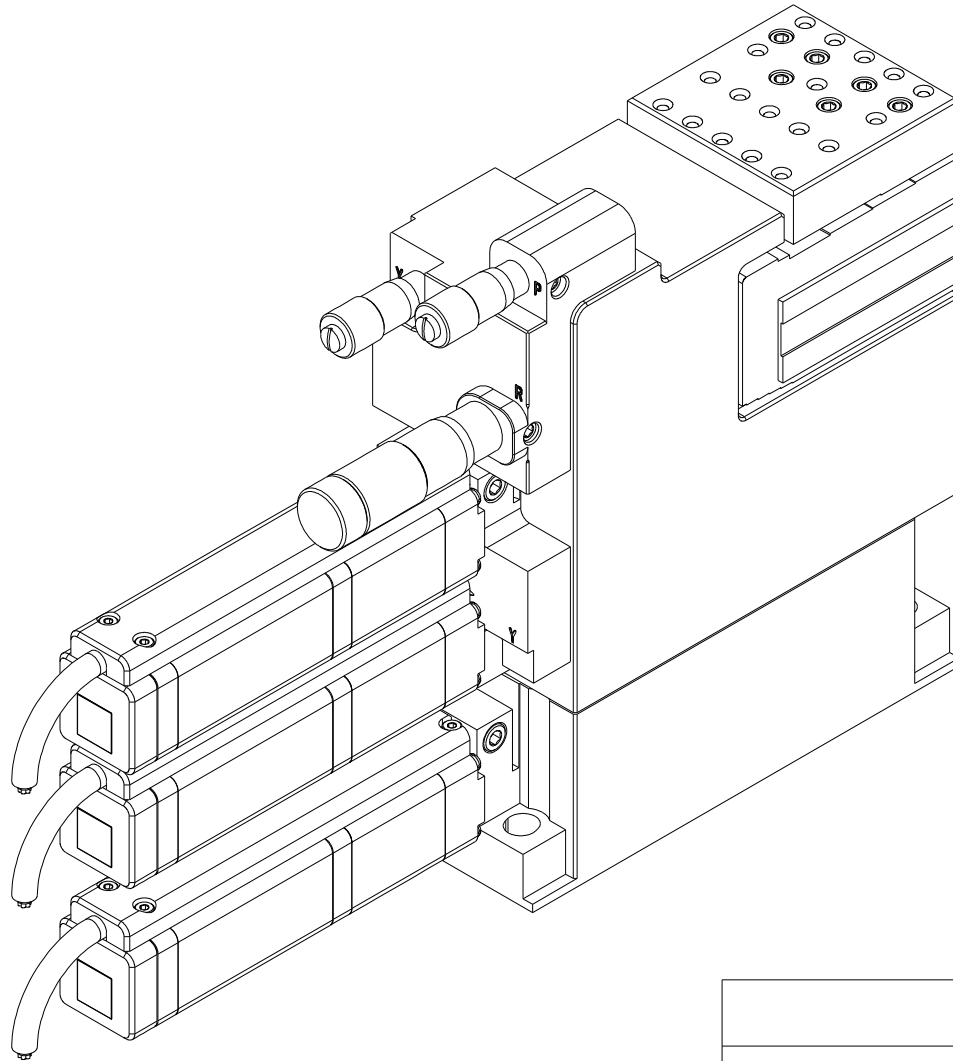
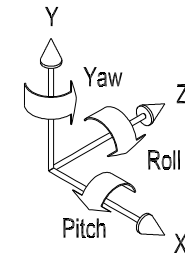
Material: _____
 Finish: _____ Tolerance: _____

SIZE A	VIEW:	DWG NO.	PT0157465A	REV A
SCALE 0.75	FILE	PT0157465A.ckd	SHEET 2/3	

PKG Start Date

REV Date

APPROVED



U6S Ultra XYZ/RYP Semi-automated Positioner - Perspective View

Material:
Finish: Tolerance:

SIZE A	VIEW: Iso	DWG NO. PT0157465A	REV A
SCALE 0.7	FILE PT0157465A.ckd	SHEET 3/3	