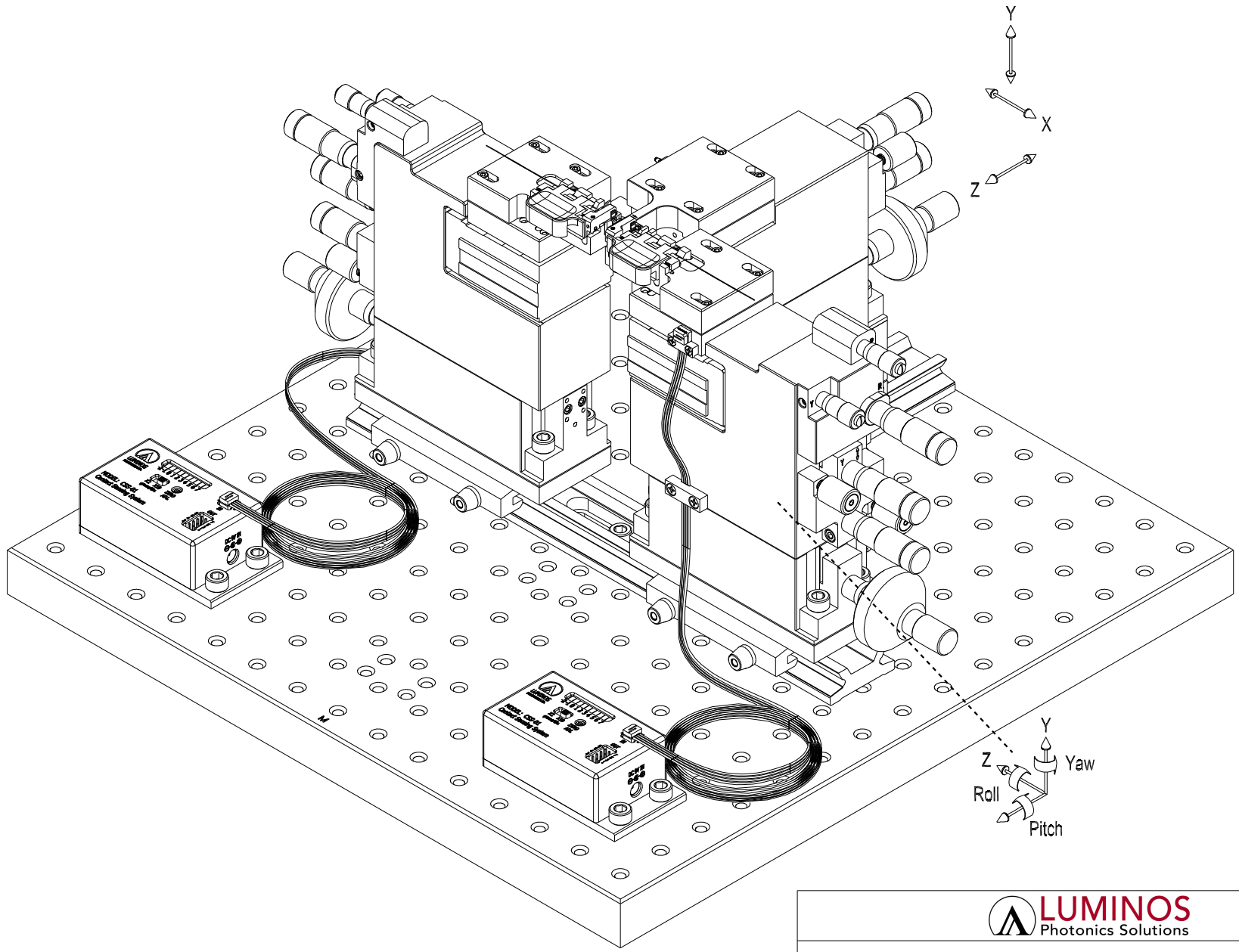


PKG Start Date

REV Date

APPROVED



Edge Coupled "T" Alignment System

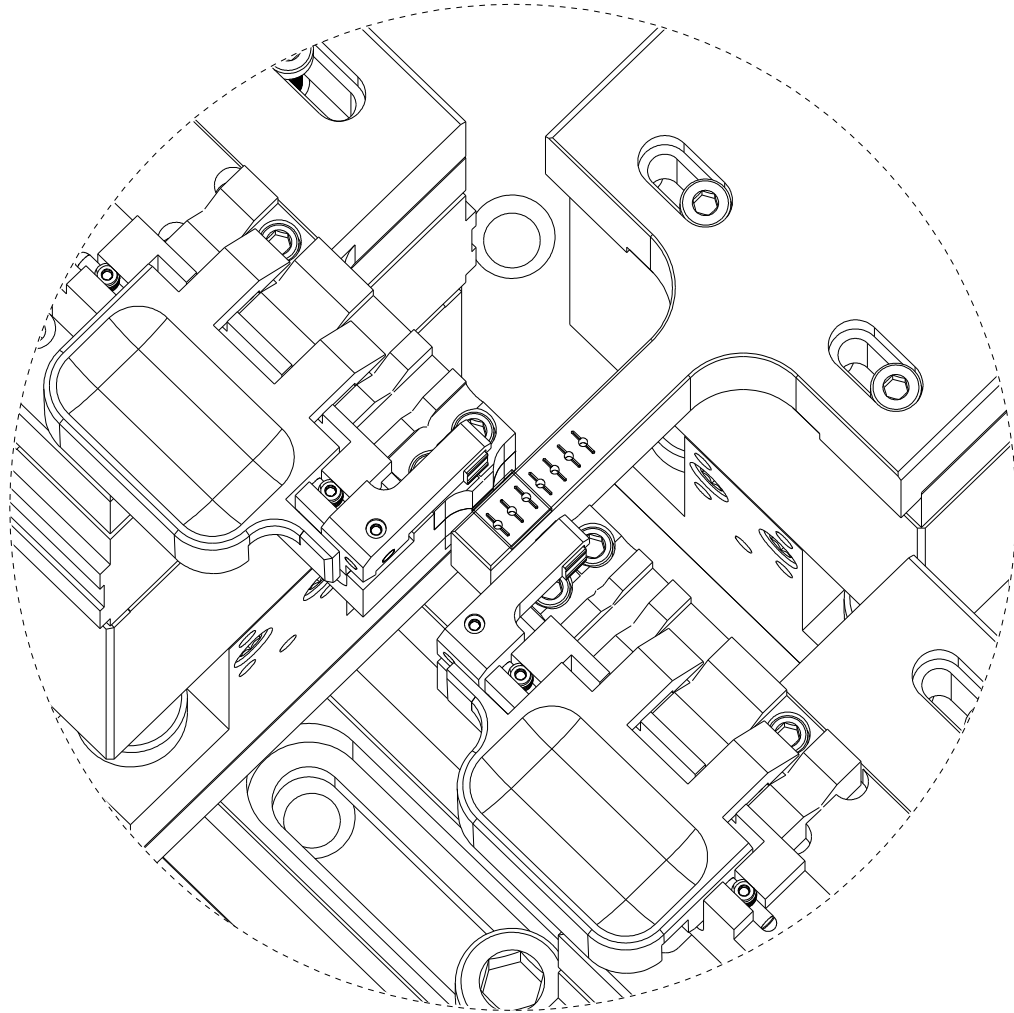
Material: \_\_\_\_\_  
 Finish: \_\_\_\_\_ Tolerance: \_\_\_\_\_

SIZE A	VIEW: Iso	DWG NO. SS013701A	REV A
SCALE 0.4	FILE	SS013701A.ckd	SHEET 1/4

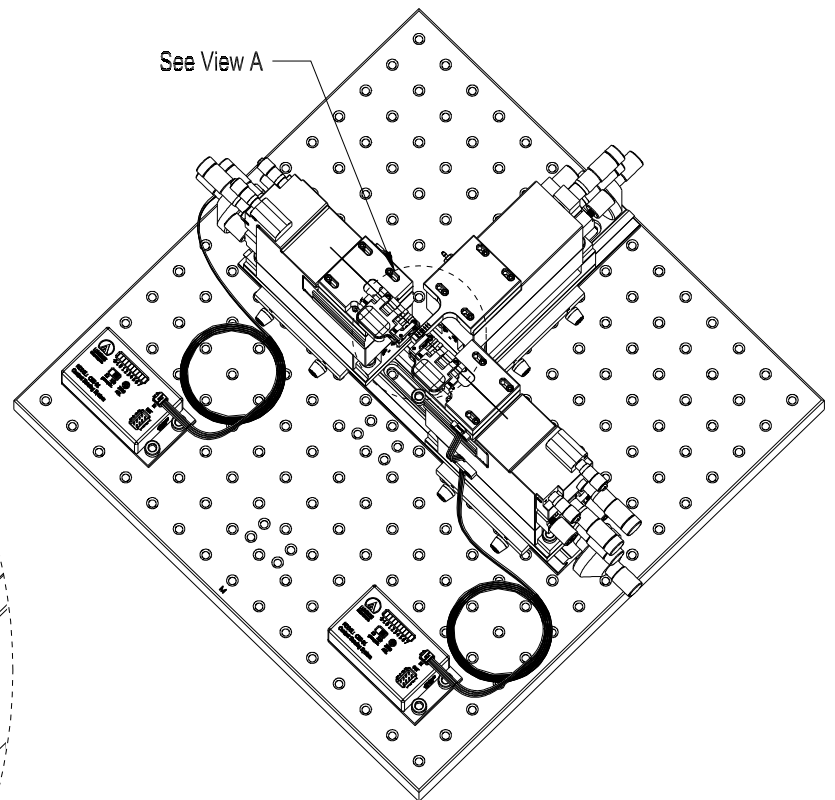
PKG Start Date

REV Date

APPROVED



View A  
Scale 1.5



See View A



Edge Coupled "T" Alignment System

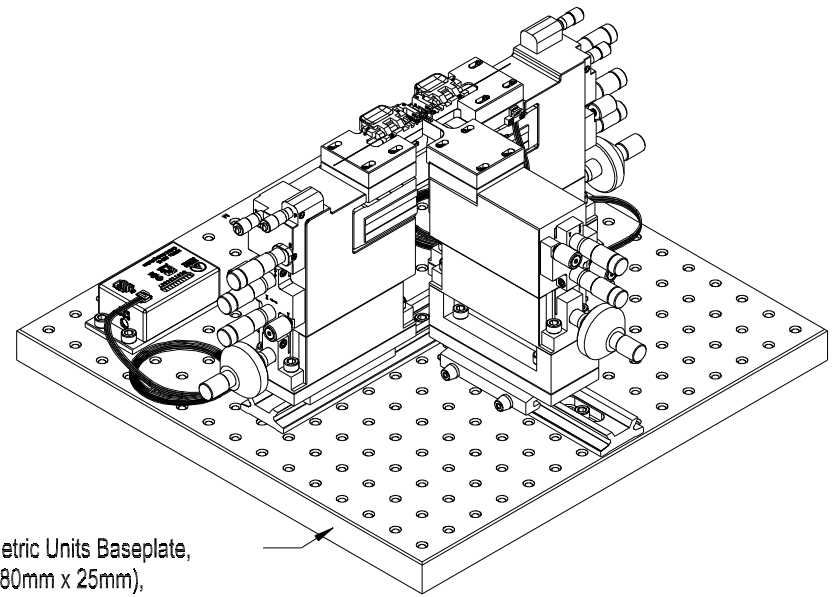
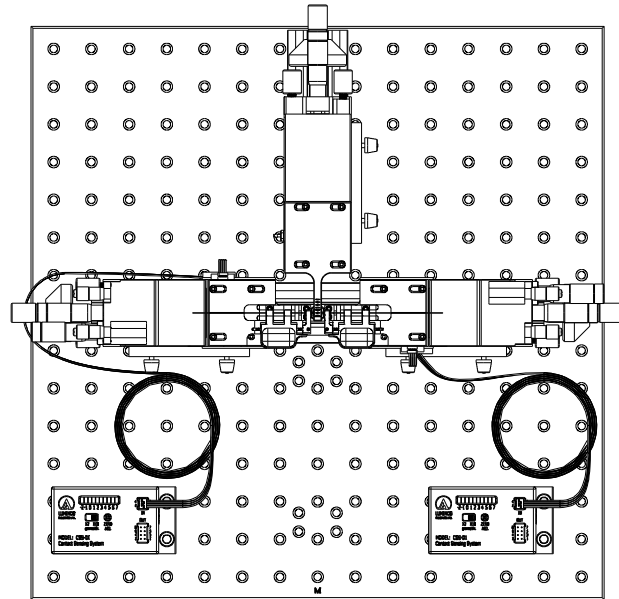
Material: \_\_\_\_\_  
 Finish: \_\_\_\_\_ Tolerance: \_\_\_\_\_

SIZE A	VIEW:	DWG NO.	SS013701A	REV A
SCALE 0.2	FILE	SS013701A.ckd	SHEET 2/4	

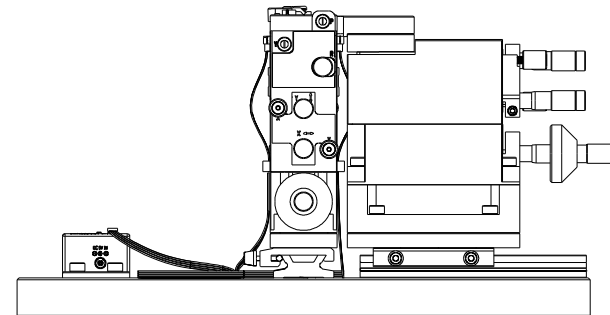
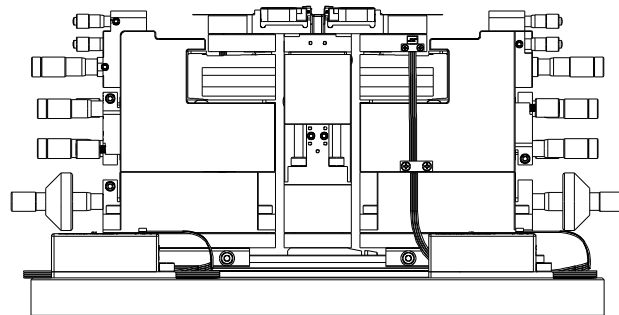
PKG Start Date

REV Date

APPROVED



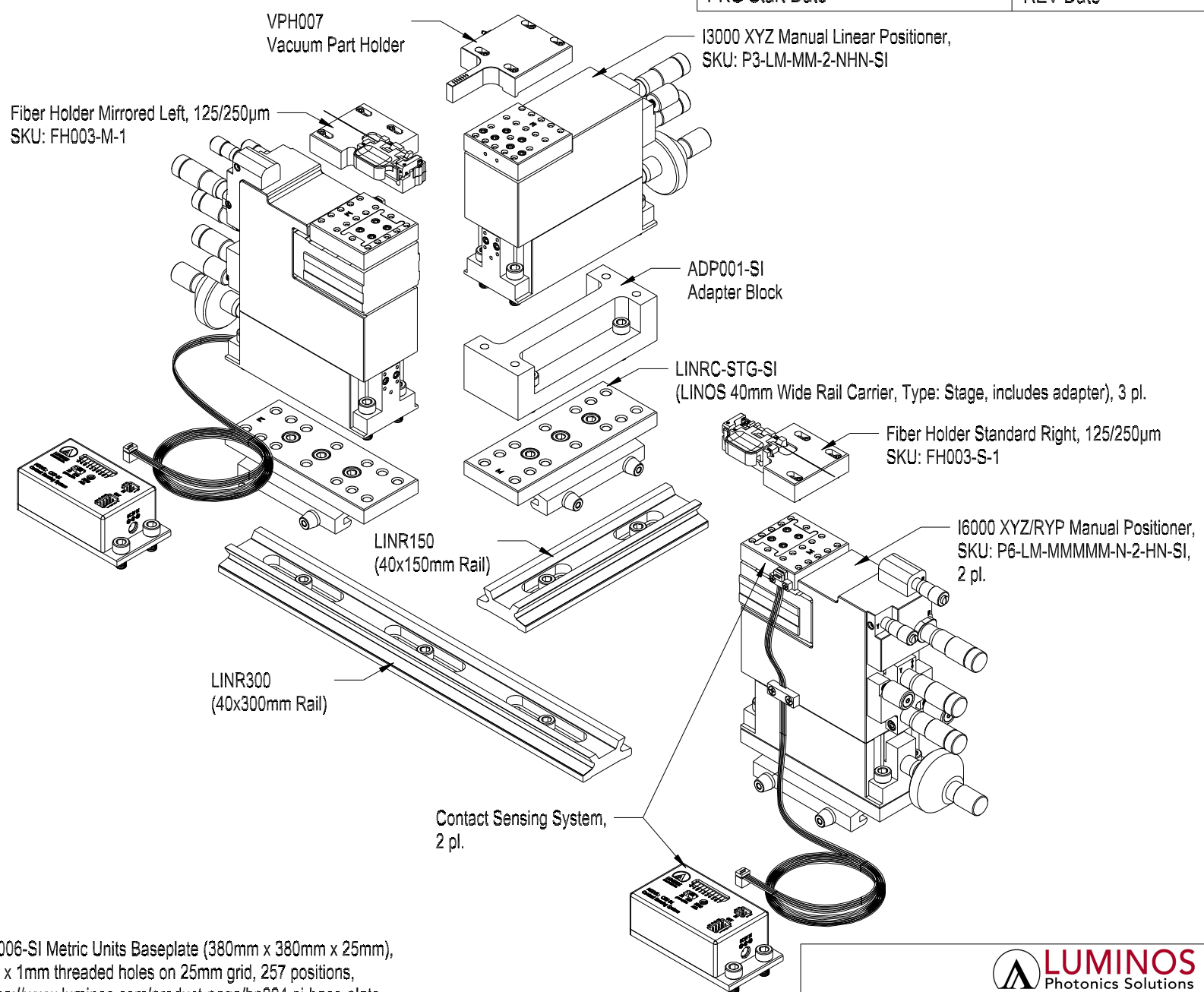
BP006-SI Metric Units Baseplate,  
(380mm x 380mm x 25mm),  
M6 x 1mm threaded holes on 25mm grid



Edge Coupled "T" Alignment System

Material:  
Finish: Tolerance:

SIZE A	VIEW:	DWG NO.	SS013701A	REV A
SCALE 0.2	FILE	SS013701A.ckd	SHEET 3/4	



Note: BP006-SI Metric Units Baseplate (380mm x 380mm x 25mm),  
M6 x 1mm threaded holes on 25mm grid, 257 positions,  
<https://www.luminos.com/product-page/bp004-si-base-plate>  
Not Shown



Edge Coupled "T" Alignment System - Parts Explosion

Material:	
Finish:	Tolerance:

SIZE A	VIEW: Iso	DWG NO. SS013701A	REV A
SCALE 0.3	FILE	SS013701A.ckd	SHEET 4/4