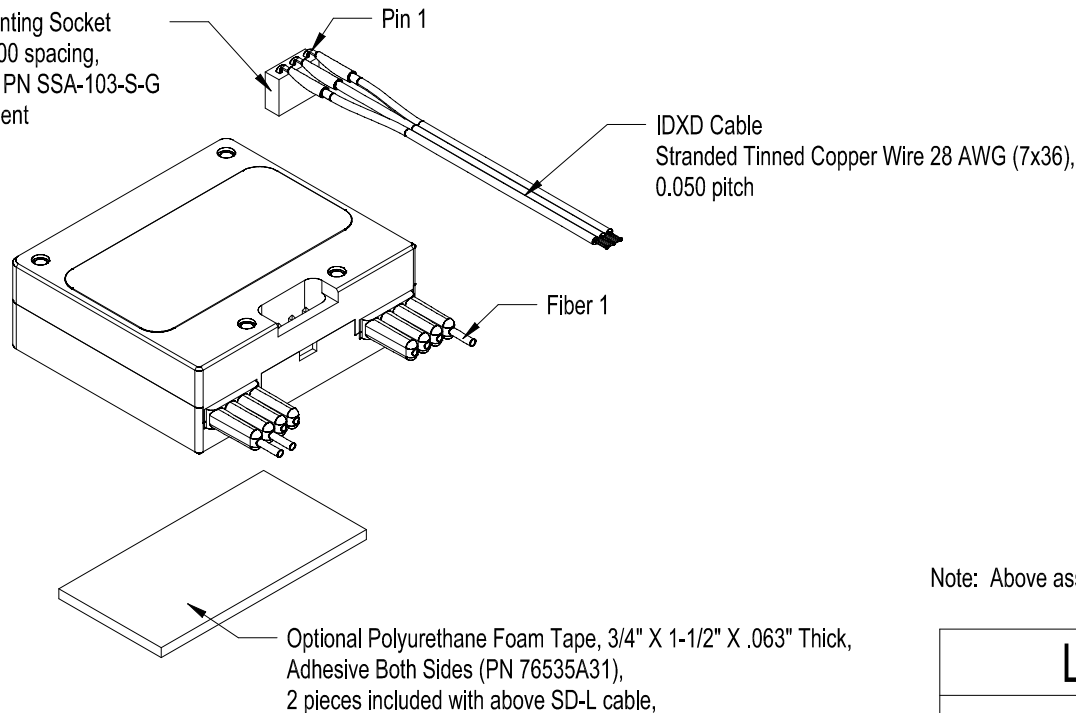


PCB Mounting Socket
3 pin, 0.100 spacing,
SAMTEC PN SSA-103-S-G
or equivalent



Note: Above assembly is a modified "Switch Power Cable Assembly" PT028604A

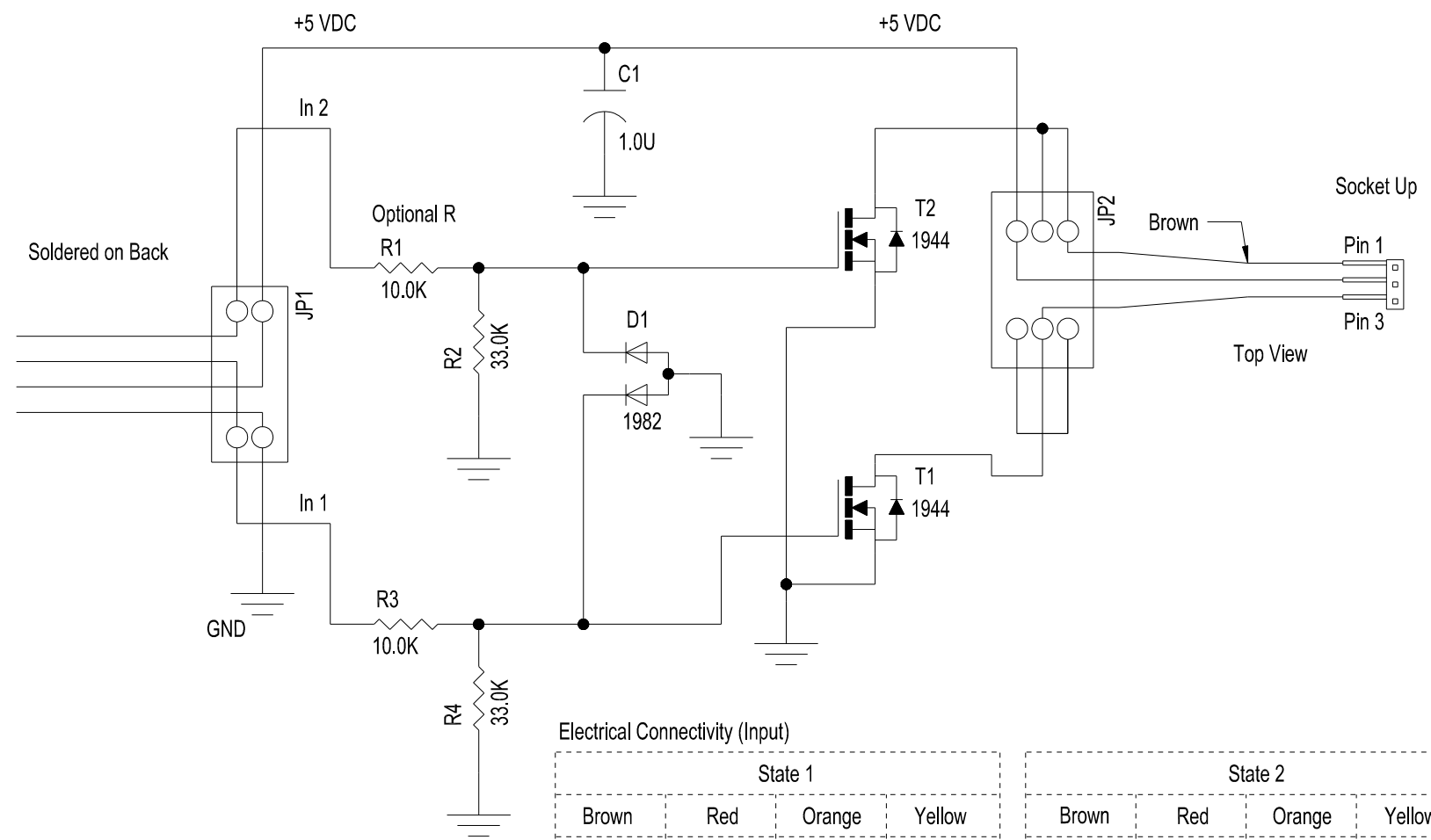
LUMINOS INDUSTRIES LTD

SD-L (Inline Switch Driver; Latching)

Material:
Finish:
Tolerance:

Company Proprietary

SIZE A	VIEW	PART NO.	PT053004B	REV B
SCALE 1	FILE	PT0530B.ckd	SHEET 1/2	JD



Input:
 Yellow -4 (In 2)
 Orange -3 (In 1)
 Red -2 (+5 VDC)
 Brown -1 (GND)

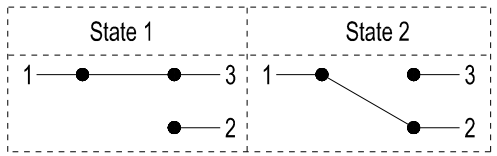
Resistors are 0805
 Filter Cap is 1206

R1, R3 are R: 1%:0805:10.0K
 R2, R4 are R: 1%:0805:33.0K
 1982 is a common anode 6.8V zener AZ23C678-7-F for ESD
 1944 is 50 milliohm PMV40UN N chan 30 volt SOT-23 FET
 Manufacturing holes, 2 places are GND

Electrical Connectivity (Input)

State 1				State 2			
Brown	Red	Orange	Yellow	Brown	Red	Orange	Yellow
Gnd	V+=5V	Control = +5	Control=0	Gnd	V+=5V	Control = 0	Control=+5

Fiber Connectivity (Optical Input) Eg: 1x2



LUMINOS INDUSTRIES LTD

SD-L (Inline Switch Driver; Latching)

Material:	
Finish:	Tolerance:

Company Proprietary

SIZE A	VIEW	PART NO.	PT053004B	REV B
SCALE 1	FILE	PT0530B.ckd	SHEET 2/2	JD